

T194M

Parts Catalog

목 차

1. 엔진 PART NO. EG

FIG 100 ENGINE	6
FIG 101 CYLINDER BLOCK	8
FIG 102 GEAR HOUSING	10
FIG 103 MOUNTING FLANGE & OIL SUMP	12
FIG 104 CYLINDER HEAD & BONNET	14
FIG 106 CAMSHAFT & DRIVING GEAR	17
FIG 107 CRANKSHAFT & PISTON	19
FIG 108 LUB OIL SYSTEM	21
FIG 109 COOLING WATER SYSTEM	23
FIG 110 FUEL INJECTION PUMP	25
FIG 111 GOVERNOR	27
FIG 112 FUEL INJECTION VALVE	29
FIG 113 FUEL PIPE	31
FIG 114 STARTING MOTOR	33
FIG 115 GENERATOR	35
FIG 116 ACCESSORY	37
FIG 117 GASKET SET	39

2. 엔진보기품 PART NO. T2

FIG 201 AIR CLEANER	42
FIG 202 RADIATOR	44
FIG 203 MUFFLER	46
FIG 204 FUEL TANK & FUEL LINE	48
FIG 205 ACCELERATOR	50
FIG 206 FUEL FILTER	53
FIG 207 ENGINE MOUNTING	55

3. 클러치/브레이크/스티어링 PART NO. T3

FIG 302 BRAKE PEDAL & LINKAGE	58
-------------------------------	----

FIG 303 SPEED CONTROL	60
FIG 304 DASH COVER	62
FIG 305 STEERING VALVE	64
FIG 306 STEERING CYLINDER	66
FIG 307 TIRE	68

4. 트랜스미션 PART NO. T4

FIG 401 INPUT SHAFT	71
FIG 402 HST	73
FIG 403 PTO CLUTCH SUB& RANGE GEAR SUB	75
FIG 404 SPIRAL BEVEL PINION & 4WD SHAFT SUB	77
FIG 405 INPUT METAL	79
FIG 406 P T O COUNT SHAFT SUB & REAR P.T.O SUB	81
FIG 407 MID P T O IDLE GEAR & MID P T O SUB	83
FIG 408 DIFF LOCK	85
FIG 409 REAR TRANSMISSION CASE	87
FIG 410 REAR AXLE HOUSING	89
FIG 411 RANGE SHIFT LEVER	91
FIG 412 P T O CHANGE LEVER	93
FIG 413 GEAR PUMP & PUMP IDLE GEAR SUB	95

5. 프론트 액슬 PART NO. T5

FIG 501 FRONT DRIVE SHAFT	98
FIG 502 FRONT DIFFERENTIAL GEAR	100
FIG 503 FRONT AXLE HOUSING	102
FIG 504 FRONT GEAR CASE (1)	104
FIG 505 FRONT GEAR CASE (2)	106

6. 유압/3점링크 PART NO. T6

FIG 601 CYLINDER CASE	109
FIG 602 LIFT ARM	111
FIG 603 FLOW CONTROL VALVE	113
FIG 604 MAIN CONTROL VALVE	115
FIG 605 HYDRAULIC SUB	117
FIG 607 MID MOWER	119

FIG 611 GEAR BOX	121
FIG 612 BLADE PULLEY	123
FIG 613 TENSION PULLEY	125
FIG 614 COVER, CHUTE	127
FIG 615 WHEEL	129
FIG 616 MOUNTING	131

7. 시트메탈/캐빈 PART NO. T7

FIG 701 BONNET	134
FIG 702 FLOOR	136
FIG 703 SEAT	138
FIG 704 ROPS	140
FIG 705 LEVER COVER & FENDER	142

8. 전장 PART NO. T8

FIG 801 BATTERY MOUNTING	145
FIG 802 INSTRUMENT PANEL	147
FIG 803 HARNESS(1)	149
FIG 804 HARNESS(2)	151

9. 라벨/옵션 PART NO. T9

FIG 901 TOOL & ACCESSORY	154
--------------------------	-----

1. 엔진 PART NO. EG

FIG 100 ENGINE	6
FIG 101 CYLINDER BLOCK	8
FIG 102 GEAR HOUSING	10
FIG 103 MOUNTING FLANGE & OIL SUMP	12
FIG 104 CYLINDER HEAD & BONNET	14
FIG 106 CAMSHAFT & DRIVING GEAR	17
FIG 107 CRANKSHAFT & PISTON	19
FIG 108 LUB OIL SYSTEM	21
FIG 109 COOLING WATER SYSTEM	23
FIG 110 FUEL INJECTION PUMP	25
FIG 111 GOVERNOR	27
FIG 112 FUEL INJECTION VALVE	29
FIG 113 FUEL PIPE	31
FIG 114 STARTING MOTOR	33
FIG 115 GENERATOR	35
FIG 116 ACCESSORY	37
FIG 117 GASKET SET	39

Part Number Description Q'ty per each tractor

11930535151-	FILTER ASSY, D68XL65	1
11981055650-	ELEMENT, FUEL FILTER	1
12933555780-	ELEMENT ASSY, FUEL	1
11102303100	FILTER COMP , HST	1
11201032020	ELEMENT	1
11105152100	STRAINER , SUCTION	1
16322732000	SEAL ASSY , OIL	1
V4011600160	WASHER , SPRING	1
11106644000	SWITCH ASSY , PTO	1
11104130151	SEAL , OIL	2
15276040020	CLIP , TRIM	12
V4011600140	WASHER , SPRING	24
V2123606012	BOLT , HEX /SP	2
V2173608025	BOLT , HEX/S	9
V7041400250	C-RING , SHAFT	6
V2173608020	BOLT , HEX/S	7
14537072501	hazard SWITCH	1
17686641110	RELAY , PREHEAT	1
V2183608020	BOLT , HEX/SP	40
16731112130	FILTER	1
V6001106210	BEARING , BALL	1
V7441254708	SEAL , OIL/D	1
V4011600120	WASHER , SPRING	9
11612010010	FAN , COOLING	1
V2123606016	BOLT , HEX /SP	19
V2183608025	BOLT , HEX/SP	9
V4011600100	WASHER , SPRING	9
V2173612030	BOLT , HEX/S	1
V3043600100	NUT , HEX/2	3
V7051400620	C-RING , HOLE	6
13153285001	SWITCH ASSY , BRAKE	1
V3501600060	NUT, PUSH-ON SPRING	18
V3802600060	NUT , HEX FLANGE	19
V7041400200	C-RING , SHAFT	7
21575070110	BOLT , GRIP(M6)	1
V4111600100	WASHER , PLAIN	18
14446010150	WASHER , NET	18
V7201024010	O-RING , P	2
V4111600120	WASHER , PLAIN	4
V7041400400	C-RING , SHAFT	3
V5502040093	RIVET , BLIND	4
85402003130	U NUT	1
14722310033	SPRING , RETURN	1
11116111050	SWITCH ASSY , SEAT	1
11103240030	SEAL , SHAFT 40	2
11613440010	BOLT , WHEEL(9/16-18UNF)	8
V7211031080	O-RING , G	2

PARTS SUGGESTED LIST

Part Number Description Q'ty per each tractor

11201032000	AIR CLEANER ASSY	1
V4111600080	WASHER , PLAIN	8
V7051400420	C-RING , HOLE	2
11614051300	BALL JOINT ASSY	1
11616212900	RELAY 5P	2
V4011600060	WASHER , SPRING	1
18711201100	LABEL , ULTRA LOW SULFUR	1
V4111600140	WASHER , PLAIN	15
11111042000	RADIATOR COMP	1
V3043600120	NUT , HEX/2	6
V3013600060	NUT .HEX NORMAL /2	2
11103062000	GAUGE ASSY , OIL LEVEL	1
V2173608016	BOLT , HEX/S	8
V3043600140	NUT , HEX/2	32
V7441204208	SEAL , OIL/D	1
V6001106007	BEARING , BALL	2
12009100190	LABEL , WARNING BELT	1
V2173608035	BOLT , HEX/S	2
V7441354808	SEAL , OIL/D	2
V4111600060	WASHER , PLAIN	22
11103160020	TUBE	2
15965120021	LINING , 11X30X03	2
14211340190	COUPLING	1
V5201010022	PIN , PARALLEL/A	2
12009100240	LABEL , CAUTION MUFFLER	1
V7051400800	C-RING , HOLE	1
12009100130	LABEL , DANGER PTO	1
12009100020	LABEL , WARNING PARKING	1
12009100030	LABEL , WARNING EXHAUST	1
12009100120	LABEL , CAUTION FAN	1
V6802000010	BALL , STEEL	3
V7201024016	O-RING , P	8
12009100140	LABEL , WARNING DRAW	1
V6001106304	BEARING , BALL	2
V2193606016	BOLT , HEX/SPL	8
12009100230	LABEL , CAUTION OPERATION	1
12009100060	LABEL , WARNING DIFF	1
11611112300	GAUGE ASSY , FUEL	1
12009100050	LABEL , WARNING FIRE	1
V6001106206	BEARING , BALL	5
V2173610025	BOLT , HEX/S	16
14722312401	DAMPER , OIL	1
11613450010	BOLT , WHEEL(1/2-20UNF)	6
12009100210	LABEL , WARNING THROTTLE	1
17681170050	GRIP , REVERSE	1
16003302101	TANK ASSY , RESERVE	1
V2013614030	BOLT , HEX	2
V6001106204	BEARING , BALL	8
V7231020175	O-RING(S)	2
13603102000	CAP ASSY , TANK	1

Part Number Description Q'ty per each tractor

V3013600120	NUT , HEX/2	3
V7201024021	O-RING , P	1
V3043600080	NUT , HEX/2	3
20115300010	RELAY ASSY , TWIN	1
V5001920015	PIN , SPLIT	7
V7041400350	C-RING , SHAFT	4
V7041400450	C-RING , SHAFT	1
V3042600080	NUT , HEX/2	5
19027210060	NUT , NYLON , M6	8
12209045051	LABEL , ROPS WARNING/REMC	1
11106073030	KNOB , 4WD	2
11613450020	WHEEL_NUT(1/2-20UNF)	4
V7201119010	O-RING , P	1
11611112100	FUEL TANK COMP , LH	1
V3802600080	NUT , HEX FLANGE	27
12009100160	LABEL , DANGER RIDING	1
11106073020	KNOB , POSITION	1
V5001920020	PIN , SPLIT	2
15601160083	PIN , 06X16	1
V2183608016	BOLT , HEX/SP	2
12009100150	LABEL , WARNING RADIATOR	1
V5001925020	PIN D2.5x20	6
12009100040	LABEL , WARNING STOP VALVE	1
V7201057070	O-RING , P	1
V5601600008	PIN , SNAP	2
11106073040	KNOB , PTO	1
12147078721	KEY SET	1
V6001106205	BEARING , BALL	8
V5201010020	PIN , PARALLEL/A	3
12609040620	LABEL , STARTING WARNING	1
V6001106008	BEARING , BALL	1
V2113606012	BOLT , HEX /S	3
V3042600100	NUT , HEX/2	10
V7051400250	C-RING , HOLE	1
V7051400520	C-RING , HOLE	2
14726071101	GRIP COMP	1
14729040130	LABEL , CAUTION PARKING	1
V7201035030	O-RING , P	2
V7211131070	O-RING , G	1
V7081400120	E-RING	1
V2173612035	BOLT , HEX/S	28
V2173610035	BOLT , HEX/S	12
11612320050	BOLT , ROUND	2
11611113100	FUEL TANK COMP , RH	1
V6001106005	BEARING , BALL	1
V2403610035	BOLT , HEX FLANGE	27
V4111600200	WASHER , PLAIN	1
V1112606040	SCREW , C/R PAN	1
V7081400100	E-RING	2
V2113606030	BOLT , HEX /S	2

Part Number Description Q'ty per each tractor

V2004612045	BOLT , HEX	1
V6041106205	BEARING , BALL/HL1	2
12209045010	LABEL , ROPS DANGER	1
12382323001	MAGNETIC ASSY , CRUISE	1
17689200050	LABEL , DIFF	1
V6001106009	BEARING , BALL	1
11616402400	CUP HEAD SQUARE NECK BOLT	12
V1922806010	SCREW , TAPPING C/R PAN	10
12209045020	LABEL , ROPS WARNING	1
V2013610030	BOLT , HEX	1
V2183610025	BOLT , HEX/SP	25
11107027500	FIXED PIN ASSY	2
V2173608045	BOLT , HEX/S	1
V6001106004	BEARING , BALL	4
11209100250	LABEL , CAUTION HOT	1
16702230371	PLATE	3
15666562003	LAMP ASSY , COMBINATION	2
11616032220GB	GRILL , LOW/DASH	1
12651040300	CAP , RADIATOR	2
V4011600050	WASHER , SPRING	6
35602010150	WASHER , BIND SHAFT	8
11105030150	PLATE , STOPPER	1
V3042600120	NUT , HEX/2	4
V5801405025	PIN , SPRING	1
V7041400160	C-RING , SHAFT	1
14722310060	BEARING , BALL	1
11619100020	LABEL , 4WD LEVER	1
13606642401	FLASHER ASSY	1
36108010080	SPRING , ENTRANCE FOR SEED	6
V4111600050	WASHER , PLAIN	1
16705050060	RING	1
36104400180	WASHER	1
11613282300	ROD COMP , PARKING BRAKE	1
V6001106208	BEARING , BALL	1
14527060010	WASHER , JERBSI SPRING/10	2
11619100040	LABEL , HYD CONTROL LEVER	1
V3232600100	NUT , HEX SLOT & CASTLE	1
V7211031045	O-RING , G	1
11644012302	CAP(TYM) , STEERING WHEEL	1
12127025110	LABEL , STARTER	1
V2173610020	BOLT , HEX/S	11
V5801403025	PIN , SPRING	1
V6041106304	BEARING , BALL/HL1	1
V3012600040	NUT , HEX/2	5
V5201008016	PIN , PARALLEL/A	9
11101042350	SPONGE , 410	2
15156210300	CUSHION RUBBER A , RADIATOR	2
16606510210	CAP , RUBBER 30	4
V6001106010	BEARING , BALL	1
11613247110	SHAFT, RR WHEEL	2

Part Number Description Q'ty per each tractor

11611511700GB	RAD. BKT. RH	1
V7201124014	O-RING , P	1
V2183610020	BOLT , HEX/SP	5
11616571000	REAR REFLECTOR	2
11615182000	GEAR PUMP ASSY	1
52300341310	PIN , OMISSION PREVENTION	2
V1922604016	SCREW , TAPPING	4
36402602001	RUBBER COMP	2
V2123806016	BOLT , HEX /SP	16
V2113606020	BOLT , HEX /S	2
37371720110	CLAMP , FLASHER W/HARNESS	2
11611112510	SPONGE A , TANK	2
11611112520	SPONGE B , TANK	2
14445070030	GRIP , LEVER	1
V1122606016	SCREW , C/R FLAT	4
36501510110	RUBBER , E/G MOUNT	4
11102303200	VALVE , PTO SOL	1
11619100010	LABEL , PTO SELECT LEVER	1
V5801408036	PIN , SPRING	1
11102522041	SEAL , 20	1
11616602303	PANEL ASSY , METER	1
11616642200	SWITCH , COMBI	1
V5001940030	PIN , SPLIT	1
V2173610030	BOLT , HEX/S	6
11101042310GB	NET COMP , RADIATOR	1
11616563000	LAMP ASSY , STOP	2
11619100030	LABEL , RANGE GEAR SHIFE LEV	1
V7201019012	O-RING , P	2
11615012100	CAP ASSY , OIL	1
11611812500GB	ACCELERATOR LEVER COMP	1
V7631500000	NIPPLE , GREASE/B-PT	1
11613247120	WHEEL , STUD	4
V2113606016	BOLT , HEX /S	6
14143120020	SPRING , TENSION 53	1
11615701200GB	BRACKET COMP	1
V7201124022	O-RING , P	1
V5801406025	PIN , SPRING	3
11615701300GB	BAR COMP	1
11612400010M	CASE , REAR TM	1
37481850030	BAND CLAMP 18	2
11615700100	PIN COMP	2
V5001930025	PIN , SPLIT	1
11613282400	ROD COMP , PARKING BRAKE	1
11611511500	RAD. HOSE , OUTLET	1
11615700500M	PLATE , SPACER A	2
36423600080	CLIP , HOSE D=12.5	1
11104112220	GEAR , DIFF 15T	2
11615702500	CARRIAGE BOLT , M8X20	1
14722312730	PAD	1
11616412111	MAT , FLOOR	1

Part Number Description Q'ty per each tractor

11612530070	GEAR , SPUR 38T	1
13831510400	HOSE , RESERVOIR TANK	1
11614012100	STEERING WHEEL	1
11501330010	SPRING , RETURN	1
11615701100GB	LINK COMP, LH	2
14443140091	CAP , PTO SHAFT	1
16705251100	HOOK , TOPLINK	1
11104112230	PINION , DIFF 11T	2
V2013612080	BOLT , HEX	1
V2053606045	BOLT , HEX C/R	1
11616802500	FUSE BOX ASSY	1
14885050150	BAND CLAMP 75	1
11615030170	ELBOW (PF1/4, PF1/4)	2
11612520010M	COVER , PTO	1
11613190030	PAD	2
11614130180	SEAL , OIL	1
V6041106204	BEARING , BALL/HL1	1
15603142910	BUSH , 16X18X15	2
V6001506304	BEARING , BALL	1
21567362380	SPRING , HC066	2
11614120030	BUSH(22X25X25)	3
11611511400	RAD. HOSE , INLET	1
15646542130	BULB , 12V 21W	2
11615150010	RUBBER , SUCTION	1
15945170030GB	CLIP	4
11106684300	HARNES ASSY , EARTH	1
16626582403	SWITCH SET , ROTARY	1
34513310040	BAND CLAMP 64	4
13156642100	SWITCH , CRUISE	1
V2013614040	BOLT , HEX	4
V2004612025	BOLT .HEX NORMAL	2
19026112050	WASHER , 6X30X2.3	8
V5001940025	PIN , SPLIT	1
11612411010	GEAR , SPUR 21T-29T	1
11612530040	WASHER , 25X45X5	1
11105030160	SEAL , DUST 15	1
V2014614095	BOLT , HEX	2
14445100080	BAND CLAMP 40	6
V2183610030	BOLT , HEX/SP	12
11616032200	COVER COMP , LOW/DASH	1
14501410050	BAND CLAMP 16	14
11616401120	SPONGE , FENDER FLOOR	6
V7051401250	C-RING , HOLE	1
V2174612040	BOLT , HEX/S	12
11613240030	WASHER , 35X50X02	2
11613200020	PLUG , DRAIN (MAGNET)	1
36753302201GB	HOLDER COMP , TANK/RESERV	1
11614112120	COLLAR , 48X52X17	1
14216020051	RUBBER , CUSHION B	1
11612310010M	METAL , INPUT	1

Part Number Description Q'ty per each tractor

11105030051M	PISTON , HYD	1
V5801406050	PIN , SPRING	1
11615150020	CLAMP	2
11612012000	INPUT SHAFT ASSY	1
11611811000GB	PANEL COMP, DASH	1
11614152100	CAP ASSY , OIL	1
11616082100	COVER COMP , LH/LEVER	1
11611001001	ENGINE , 3TNV74F-NDKTF2	1
V1122808020	SCREW , C/R FLAT	2
11614130120	SHAFT , WHEEL	2
11615020030M	ARM , LIFT LH	1
11105030140	BALL , STEEL	1
11612712110	GEAR , SPUR 25T-27T	1
14441010161	CLAMP , RADIATOR HOSE	1
11616024500	STAY SUB , HOOD	1
11615700600M	PLATE , SPACER B	2
11613282500	PEDAL COMP , PARKING BRAKE	1
11615700010	PIN C	2
11105030110	VALVE , SLOW RETURN	1
11614102000	4WD UNIVERSAL JOINT SHAFT	1
12626010200	INSULATOR , SIDE COVER/LOW	1
11616642400	SWITCH ASSY , POSITION	1
11616522000	HEAD LAMP ASSY , LH	1
16586652000	HORN COMP	1
V2174610035	BOLT , HEX/S	6
11616111000	SEAT ASSY	1
11616031030	LABEL , THROTTLE	1
19027722030	GROMMET , 15X36X3	2
11612521000	CLUTCH ASSY , PTO	1
11616032101	COVER COMP , UPR/DASH	1
11615702100	SHAFT , DIAL	1
11612530010	SHAFT , PTO COUNT 13T	1
11612430040	SPRING , HC017	2
11105030120	GUIDE , SPRING	1
11613280070	SPRING	1
15605070070	KNOB , SLOW RETURN	1
11616523000	HEAD LAMP ASSY , RH	1
V3202600200	NUT , HEX SLOT & CASTLE	1
11611411300	HOSE , FUEL 290	1
11611411500	HOSE , FUEL 205	1
11612430010M	FORK , RANGE	2
11612530060	SPRING(HC023)	3
V6544253017	NEEDLE BEARING(CAGE)	2
V6001106000	BEARING , BALL	2
11615030180	ADAPTOR (PF 1/4)	1
11611512800	SPONGE(315)	2
11611211300	HOSE , AIRCLENER INLET	1
V2143610035	BOLT .HEX FINE MACHINE/S	1
V2004614070	BOLT , HEX	8
93805000090	LABEL , DIAL	1

Part Number Description Q'ty per each tractor

11614060010	PIN	1
11612421010	GEAR , SPUR 15T-23T	1
11105052102	LEVER COMP , POSITION	1
11616012300	INSULATOR , RADIATOR	1
11105030130	SPRING , 15	1
V3002600050	NUT , HEX/1	6
11614073100	HOSE ASSY , HYD 560	2
11614073300	HOSE ASSY , HYD 1450	1
11613272100	DISK , BRAKE	2
11614103100		1
11611511900	SHROUD	1
V2123606025	BOLT , HEX /SP	1
11616012281	INSULATOR , HOOD	1
36143110010	RUBBER , TANK INJECT HOLE	1
11615700030	PIN D	1
11614051000	CYLINDER ASSY	1
11105050010M	FORK , VALVE	1
11614073400	HOSE ASSY , HYD 1430	1
11614050000	CYLINDER SUB ASSY	1
11105030070	PLATE	1
11615020040M	ARM , LIFT RH	1
11615200010GB	SHIELD , PTO	1
11615162200GB	PIPE COMP , LOADER C/FR	1
V2013608030	BOLT , HEX	2
V3802600100	NUT , HEX FLANGE	10
11616684003	HARNESS ASSY , RR	1
11616401200GB	SUPPORT COMP , SEAT	1
11613180050	WASHER , DIFF PINION	2
11613180070	SHAFT , DIFF PINION	1
11615162600GB	PIPE COMP , LOADER C/RR	1
V2123606020	BOLT , HEX /SP	6
11616011200GB	GRILL , LH/SIDE	1
11616017600	BAND COMP , BONNET DAMPI	1
11616016300	PIN , HINGE	1
11105030061	ROD , PISTON	1
11616012201SR	HOOD COMP	1
11611812600	ACCEL. CABLE ASSY	1
11612530030	GEAR , SPUR 35T	1
11615162100GB	PIPE COMP , LOADER P	1
11611512500GB	RAD HOSE HOLDER	1
34522150080	ROD , CHAIN(TENSION)(82)	1
11616082200	COVER COMP , RH/LEVER	1
11612710010	SHAFT , MID PTO	1
11615010030	BUSH (35x39x30)	1
11615010040	BUSH (40x43x30)	1
11611112400	HOSE , CONNECT	1
11616401100SR	PANEL FLOOR SEAT	1
11616401500SR	PANEL , FLOOR	1
11611411400	HOSE , FUEL 480	1
11614130060	GEAR , BEVEL 9T	2

Part Number Description Q'ty per each tractor

V2514412030	BOLT , STUD/2	7
11613190040	PIN (6X32)	1
11612320010	GEAR , SPUR 28T	1
V6001106804	BALL BEARING	2
V2205408140	BOLT, HEX-SOCKET	2
V2205408075	BOLT, HEX-SOCKET	2
11613280020	PIN	1
11611511600GB	RAD. BKT. LH	1
11201032010	BODY	1
11611211400	HOSE , AIRCLENER OUTLET	1
11611411200	HOSE , FUEL 720	1
11611411700	HOSE , FUEL 1350	1
11611411600	HOSE , FUEL 2250	1
11614112270	SHAFT , DIFF PINION	1
11612611010	GEAR , SPUR 16T	1
11613230010	GEAR , SPUR 10T	1
14041200080	RETURN SPRING , CLUTCH	1
11612326200GB	DAMPER PIN COMP	1
11616011300GB	GRILL , RH/SIDE	1
11616032700GB	BRACKET COMP , RH/DASH	1
11615702401	PLATE RETAINER, DIAL	1
11614120020	STAY , CYLINDER	2
11105020020M	CRANK , LIFT	1
11615400010	ELBOW , M16 PF3/8	1
11612302000	HST ASSY , 23cc	1
11503280020	PAD , BRAKE	1
15945170040GB	CLIP	1
11616012800	INSULATOR , SIDE	2
11116111060	SEAT CUSHION ASSY	1
11651112040	VENT , FUEL	1
11616032600GB	BRACKET COMP , LH/DASH	1
V2173608065	BOLT , HEX/S	6
11611012600GB	MTG COMP , RH	1
11613270010	METAL , BRAKE	1
11613193140	BUSH	1
11614072200GB	PIPE COMP , STEERING T	1
11612324010	BUSH	1
11615102110	SHAFT , SLOW RETURN	1
11617022900	PAD(ROPS)	2
11617022200GB	FRAME COMP , RH/LOW/ROPS	1
11615701400GB	LINK B COMP	1
11614130040	GEAR , BEVEL 14T	2
11614130020	GEAR , BEVEL 13T	2
V7801000002	PLUG , HEX-SOCKET	5
11614130130M	COVER , WHEEL SHAFT	2
11614130080	GEAR , BEVEL 35T	2
11613002110	PINION , SPIRAL BEVEL 7T	1
11612610010	SHAFT , 4WD	1
11612610020	GEAR , SPUR 33T	1
11612522010	SHAFT , PTO CLUTCH	1

Part Number Description Q'ty per each tractor

11612522050	GEAR , SPUR 22T	1
V7041400470	C-RING , SHAFT	1
11612530020	GEAR , SPUR 41T	1
11612320020	GEAR , SPUR 28T	1
11613200010M	AXLE HOUSING , RR	1
11633282100GB	PEDAL COMP , BRAKE	1
11613283100	ROD COMP , BRAKE REVERSE	1
11614100010	SHAFT , PROPELLER	1
11615162300GB	PIPE COMP , LOADER T	1
11616012700SR	PANEL COMP , RH/SIDE	1
11616033010	SPONGE , 855	1
11615702201	DIAL	1
11619040691	MARK , NAME/ROPS	1
11614112210	GEAR , BEVEL 18T	1
11614112110	PINION , BEVEL 9T	1
11614130010	SHAFT , LH	1
11614130090	SHAFT , RH	1
V6812000010	BALL , STEEL	2
11613280010	BUSH	2
11614200010	COVER, 4WD	1
11614072100GB	PIPE COMP , STEERING P	1
11611311700	GASKET MUFFLER	1
11613160020	TUBE	2
11612323000	COMP , HOLDER	1
11612324200	ARM COMP , CAM	1
11616019200GB	BRACKET , SIDE	2
11611813100	DASH BOTTOM SPG. LH	1
11617024100GB	FRAME COMP , UPR	1
93805000100	LABEL , ARROW	1
18711052800	HEAD PIN 8X12	2
11614130110	WASHER , 27X36X3	4
11613180030	GEAR , BEVEL 20T	1
11613180080	GEAR , BEVEL 20T	1
11613180040	PINION , DIFF 12T	2
11613240020	GEAR , SPUR 56T	1
11613190010M	FORK , DIFF LOCK	1
11613192100	SHAFT , DIFF LOCK	1
11613002120	GEAR , SPIRAL BEVEL 33T	1
11614071000	SCU	1
16994012020	COVER , STEERING	1
11616111100	BELT ASSY , SEAT	1
11617012120GB	SUPPORT PLATE , SMV	1
11612540030	SHAFT , PTO SHIFT	1
11613180010M	CASE , DIFF	1
V6041106007	BEARING .BALL/HL	1
11615010011M	CASE , CYLINDER	1
11615030120	POPPET	1
11612324311GB	BRACKET	1
11611311100DD	EXHAUST PIPE	1
11612324400	COMP , NEUTRAL LEVER	1

Part Number Description Q'ty per each tractor

11616019100GB	BRACKET , CTR	1
11616012600SR	PANEL COMP , LH/SIDE	1
11616016100GB	HINGE COMP , BONNET	1
V1902604020	SCREW , TAPPING C/R PAN	8
11611012500GB	MTG COMP , LH	1
11611012700GB	MTG COMP , REAR	1
11612432100	HOOK COMP , RANGE	1
11612610030	SLEEVE , 4WD	1
11612522030	HUB , PTO CLUTCH 26T	1
11613273100	ARM COMP , BRAKE	1
11613270020	PLATE , PRESSURE	1
11613270030	PLATE , SEPARATE	1
11613190020	LINK , DIFF	1
11612320040GB	CONTROL PLATE	1
11611813300	DASH BOTTOM SPG , CENTER	1
11297037070GB	BRACKET COMP , SEAT/LOW	1
V4011600040	WASHER , SPRING	5
11616401300GB	SUPPROT COMP , RR/LH/FLOO	1
11616401701GB	SUPPORT COMP , FR/RH/FLOO	1
11617022102GB	FRAME COMP , LH/LOW/ROPS	1
11657022600GB	FRAME COMP , MID/SUPPORT	1
11615212101GB	FRAME COMP , HITCH	1
11655208100GB	BRACKET COMP , TOP LINK	1
11614120010M	AXLE HOUSING , FRONT	1
11614112260M	CASE , FR DIFF	1
11614112130	WASHER , 25X42X2	1
11614130140M	CASE , LH FINAL DRIVE A	1
11614132010M	CASE , LH FINAL DRIVE B	1
11104130180	SEAL , SHAFT	2
11614130150M	CASE , RH FINAL DRIVE A	1
11614132020M	CASE , RH FINAL DRIVE B	1
11612530050M	FORK , PTO	1
V7801000004	PLUG , HEX-SOCKET	1
11613193200	ARM COMP , DIFF LOCK	1
11616252200GB	BRACKET COMP , LOADER	1
11616016200GB	BRACKET , HINGE	1
18507024200	BRACKET COMP , FUSE BOX	1
11116111070	BACK , SEAT	1
11616032310	DASH COVER , LH/LOW	1
11616401400GB	SUPPROT COMP , RR/RH/FLOO	1
11616401601GB	SUPPORT COMP , FR/LH/FLOO	1

FIG 100 T194M	ENGINE	년/월 Year/Month 2022-12
------------------	--------	------------------------------

INDUSTRIAL ENGINE
3TNV74F-NDKTF2

1

NOTE	
------	--

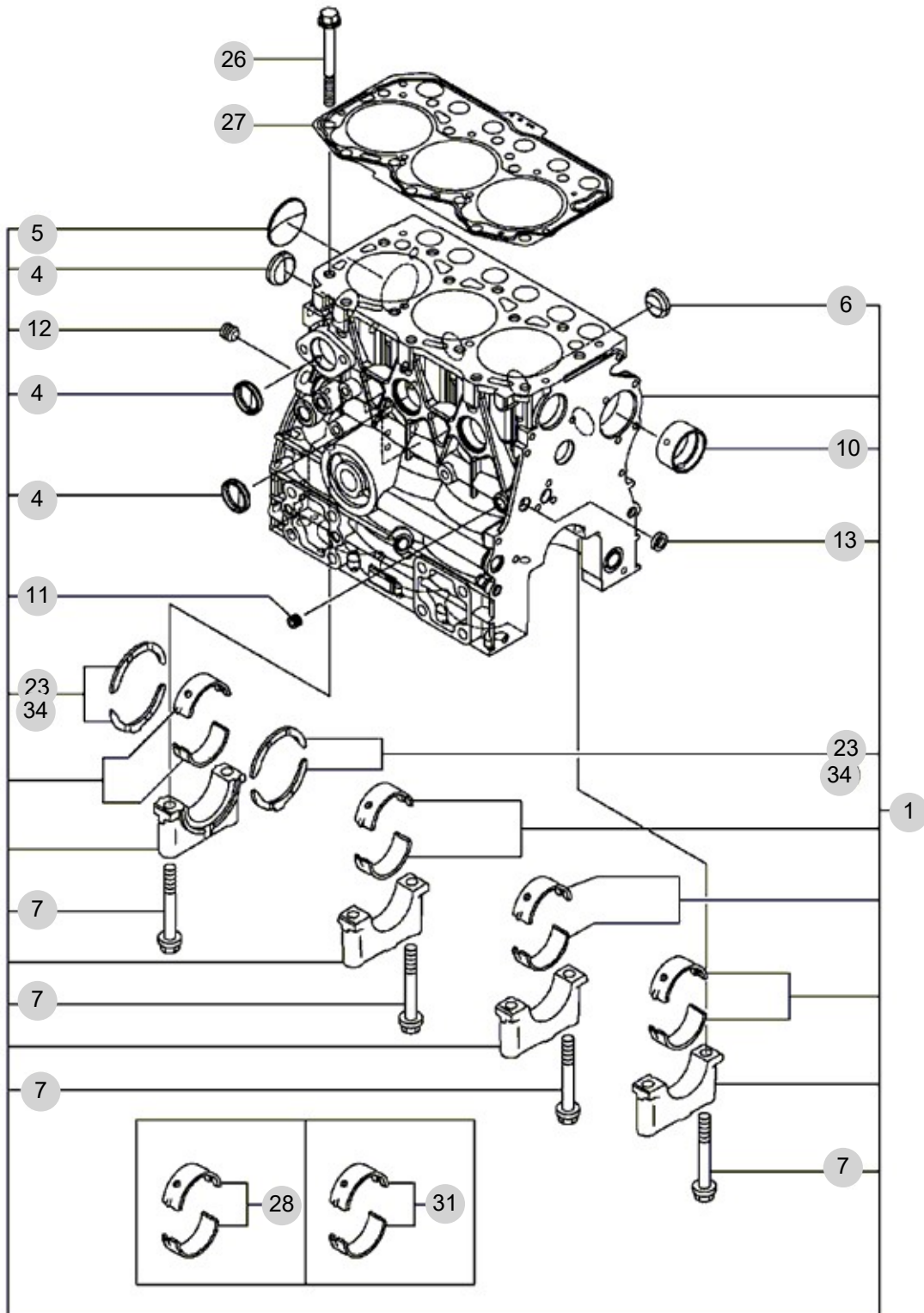
FIG 101

CYLINDER BLOCK

년/월
Year/Month

2022-12

T194M



NOTE

FIG 101 T194M		CYLINDER BLOCK						년/월 Year/Month
								2022-12
KEY NO		PART NO	DESCRIPTION	SPEC	QTY	REPAIR	EFFECTIVE DATE	REMARKS
101	1	119C16-95000	BLOCK ASSY, CYLINDER		1			
101	4	105311-01090	PLUG, CUP TYPE 30		4			
101	5	119623-01250	PLUG, DISH TYPE 45		1			
101	6	119285-01990	PLUG, CUP TYPE 25		3			
101	7	119620-02020	BOLT, METAL CAP		8			
101	10	119717-02411	BUSH, CAMSHAFT		1			
101	11	124060-01050	PLUG, PT1/8		1			
101	12	124160-01910	PLUG, PT1/4		1			
101	13	27241-120000	PLUG, 12		1			
101	23	119717-02930	BEARING ASSY, THRUST		2			
101	26	119810-01200	BOLT, CYLINDER HEAD		14			
101	27	119C10-01330	GASKET, HEAD		1			
101	28	719717-02901	BEARING ASSY, MAIN		4			
101	31	719717-02911	BEARING ASSY, MAIN		4			
101	34	119810-02941	BEARING, THRUST 0.25		2			
NOTE								

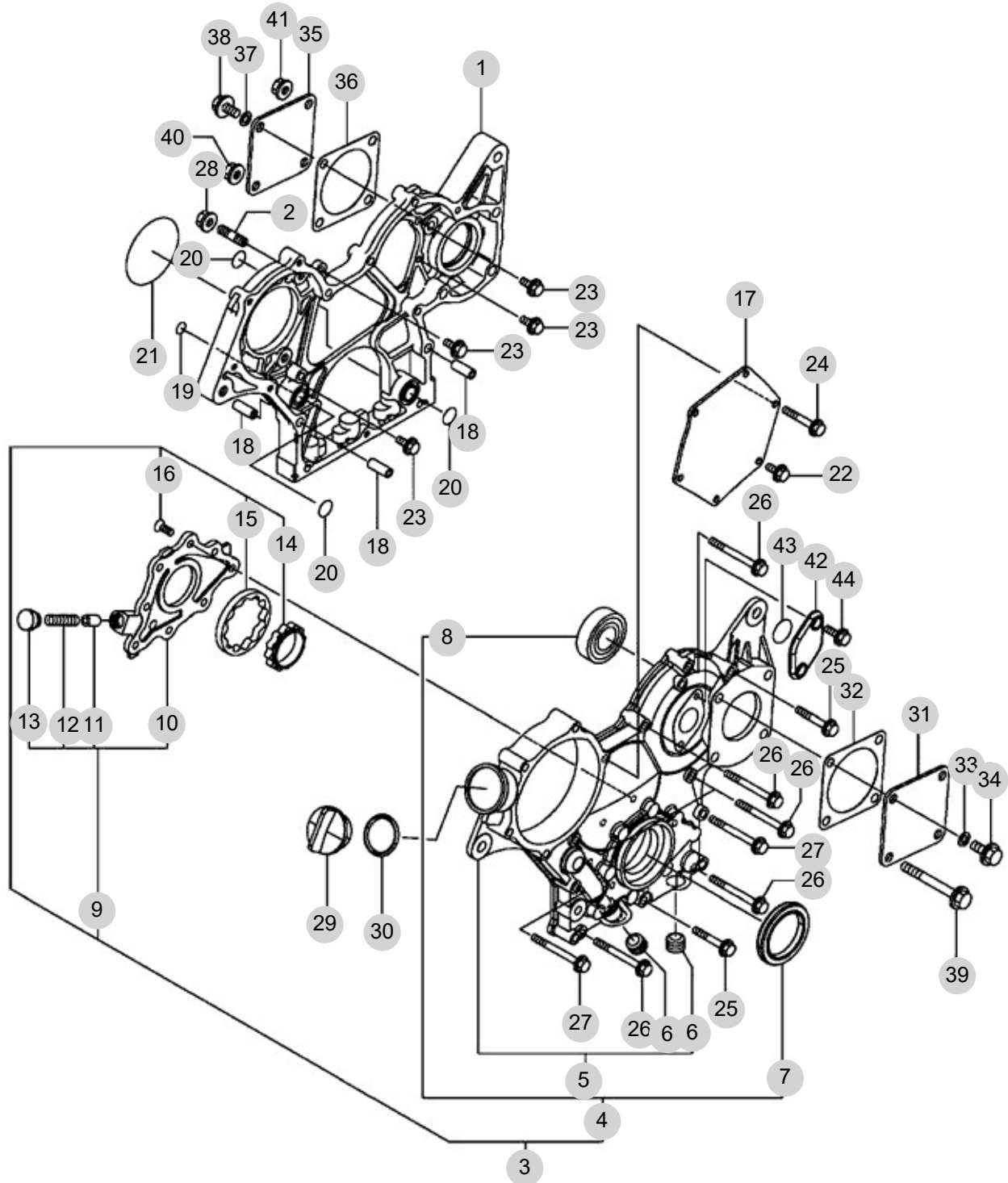
FIG 102

GEAR HOUSING

년/월
Year/Month

2022-12

T194M



NOTE

FIG 102		GEAR HOUSING					년/월 Year/Month		
							2022-12		
T194M		KEY NO	PART NO	DESCRIPTION	SPEC	QTY	REPAIR	EFFECTIVE DATE	REMARKS
102	1	119740-01501	CASE, GEAR			1			
102	2	119717-01570	STUD			3			
102	3	119751-01590	COVER ASSY, CASE			1			
102	4	719751-01500	COVER ASSY, CASE			1			
102	5	119751-01521	COVER, GEAR CASE			1			
102	6	23876-030000	PLUG, R03			2			
102	7	119717-01800	SEAL, OIL			1			
102	8	24101-062024	깊은홈 볼베어링			1			
102	9	119717-32100	COVER ASSY, PUMP			1			
102	10	119717-32080	COVER, OIL PUMP			1			
102	11	129900-32130	VALVE, RELIEF			1			
102	12	129001-32320	SPRING			1			
102	13	129001-32330	PLUG			1			
102	14	119717-32110	ROTOR, INNER			1			
102	15	119717-32120	ROTOR, OUTER			1			
102	16	119802-32130	SCREW, M6X16			8			
102	17	119717-01750	COVER, PUMP			1			
102	18	119660-01911	PIPE, KNOCK 6X17			4			
102	19	119624-32040	O-RING, P12.0			1			
102	20	119717-32050	O-RING, P17.0			3			
102	21	121850-51960	O-RING, FUEL PUMP			1			
102	22	26106-060122	BOLT, M6X 12 PLATED			1			
102	23	26106-060162	BOLT, M6X 16 PLATED			4			
102	24	26106-060402	BOLT, M6X 40 PLATED			4			
102	25	26106-060402	BOLT, M6X 40 PLATED			2			
102	26	26106-060602	BOLT, M6X 60 PLATED			7			
102	27	26106-060652	BOLT, M6X 65 PLATED			2			
102	28	26306-080002	NUT, M8			3			
102	29	124160-01751	CAP, FILLER			1			
102	30	24311-000320	운동용O링			1			
102	31	124240-01871	COVER, HYDRAULIC PUMP			1			
102	32	129C26-01890	GASKET, PUMP			1			
102	33	22190-080002	WASHER, SEAL 8			1			
102	34	26106-080122	BOLT, M8X 12 PLATED			1			
102	35	124240-01871	COVER, HYDRAULIC PUMP			1			
102	36	129C26-01890	GASKET, PUMP			1			
102	37	22190-080002	WASHER, SEAL 8			1			
102	38	26106-080142	BOLT, M8X 14 PLATED			1			
102	39	26106-080702	BOLT, M8X 70 PLATED			3			
102	40	26306-080002	NUT, M8			1			
102	41	26306-080002	NUT, M8			2			
102	42	121023-01551	COVER, TACHOMETER			1			
102	43	24341-000240	O-RING, 1AS24.0			1			
102	44	26106-060162	BOLT, M6X 16 PLATED			2			
NOTE									

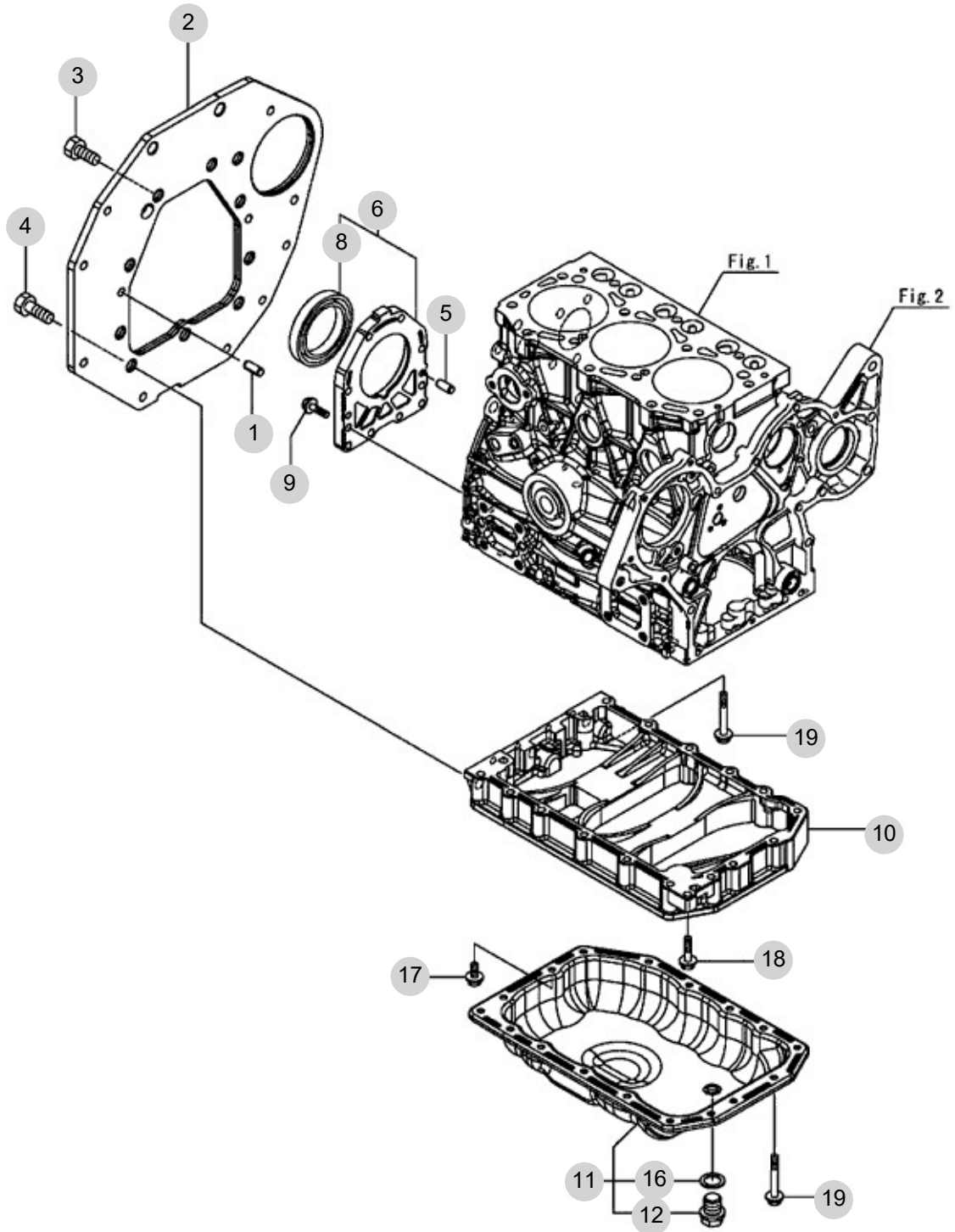
FIG 103

T194M

MOUNTING FLANGE & OIL SUMP

년/월
Year/Month

2022-12



NOTE

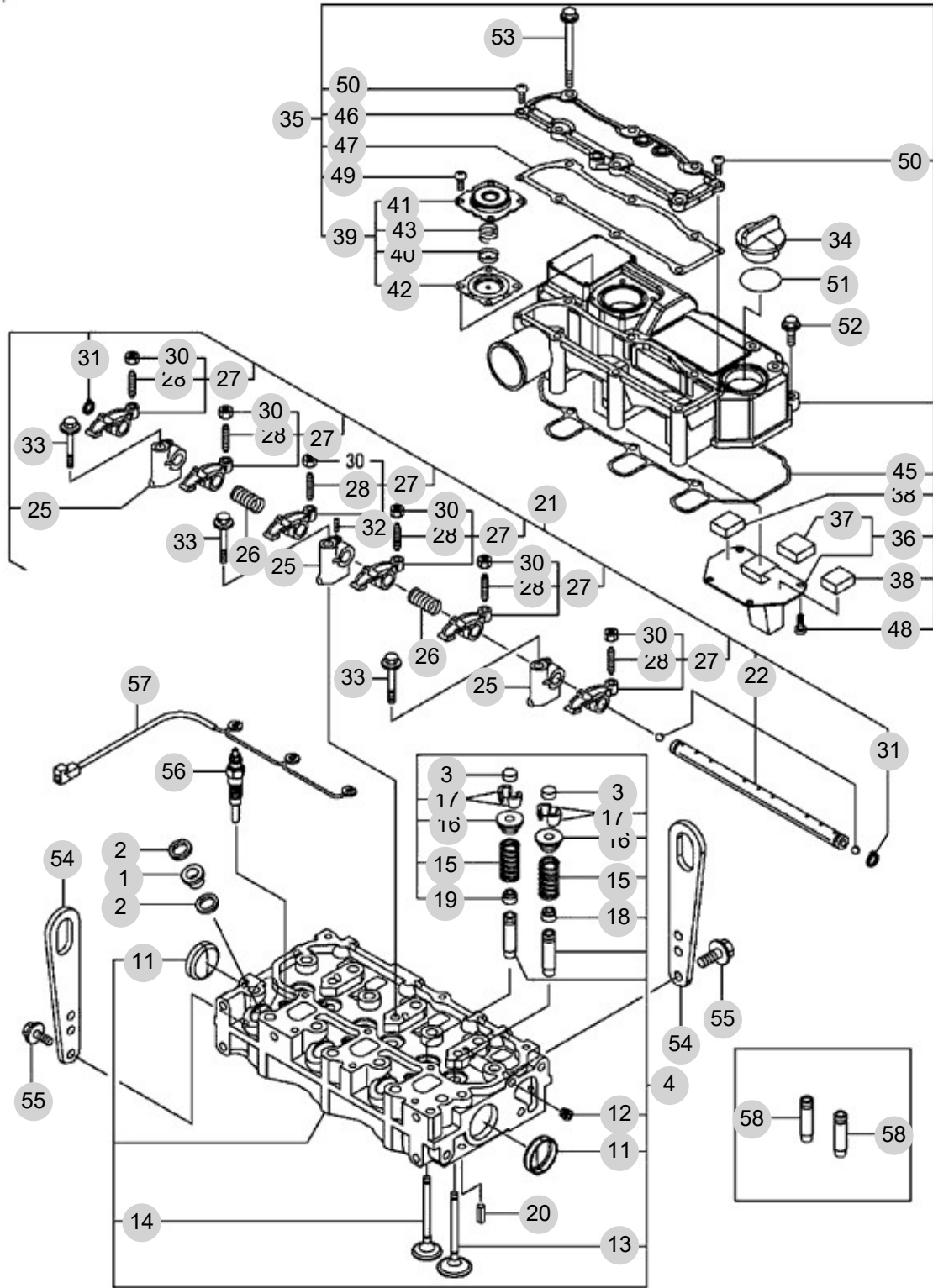
FIG 104

CYLINDER HEAD & BONNET

년/월
Year/Month

2022-12

T194M



NOTE

FIG 104 T194M		CYLINDER HEAD & BONNET					년/월 Year/Month	
							2022-12	
KEY NO	PART NO	DESCRIPTION	SPEC	QTY	REPAIR	EFFECTIVE DATE	REMARKS	
104	1	129901-11450	PROTECTOR, NOZZLE		3			
104	2	119600-11460	GASKET, NOZZLE		6			
104	3	105010-11490	CAP, VALVE		6			
104	4	119C10-11740	HEAD ASSY, CYLINDER		1			
104	11	119285-11990	PLUG, 35		2			
104	12	23876-005000	PLUG, R005		1			
104	13	119C10-11100	VALVE, INTAKE		3			
104	14	119C10-11110	VALVE, EXHAUST		3			
104	15	119717-11131	SPRING, VALVE		6			
104	16	129508-11180	RETAINER, SPRING		6			
104	17	119717-11190	COTTER, VALVE		12			
104	18	119717-11340	SEAL, VALVE STEM		3			
104	19	119717-11350	SEAL, VALVE STEM		3			
104	20	22351-060012	스프링핀		2			
104	21	119515-11200	SUPPORT ASSY, ROCKER		1			
104	22	119515-11240	SHAFT ASSY, ARM		1			
104	25	119717-11260	SUPPORT, ROCKER ARM		3			
104	26	119515-11280	SPRING, SHAFT		2			
104	27	119717-11650	ARM ASSY, ROCKER INT		6			
104	28	129150-11230	SCREW, VALVE ADJUST		6			
104	30	129150-11750	NUT, M8XP1.0 6		6			
104	31	22242-000120	RING, 12		2			
104	32	26979-050162	SCREW, M5X16		1			
104	33	26106-080402	BOLT, M8X 40 PLATED		3			
104	34	124160-01751	CAP, FILLER		1			
104	35	119515-11380	BONNET ASSY, HEAD		1			
104	36	119717-03031	PLATE, BAFFLE		1			
104	37	119717-03070	BAFFLE, BREATHER		1			
104	38	119717-03070	BAFFLE, BREATHER		2			
104	39	119802-03100	DIAPHRAGM ASSY		1			
104	40	119802-03110	PLATE, DIAPHRAGM		1			
104	41	119802-03121	COVER, DIAPHRAGM		1			
104	42	119802-03131	DIAPHRAGM, BREATHER		1			
104	43	119802-03141	SPRING, DIAPHRAGM		1			
104	45	119515-11310	GASKET, BONNET		1			
104	46	119515-11320	COVER, BONNET		1			
104	47	119515-11330	GASKET, BONNET COVER		1			
104	48	22857-500100	SCREW, 5X10		4			
104	49	22857-500100	SCREW, 5X10		4			
104	50	22857-500160	SCREW, 5X16		2			
104	51	24311-000320	운동용O링		1			
104	52	26106-060202	BOLT, M6X 20 PLATED		3			
104	53	26106-060752	BOLT, M6X 75 PLATED		6			
104	54	129900-07900	LIFTER, ENGINE		2			
104	55	26106-080162	육각플랜지볼트		4			
NOTE								

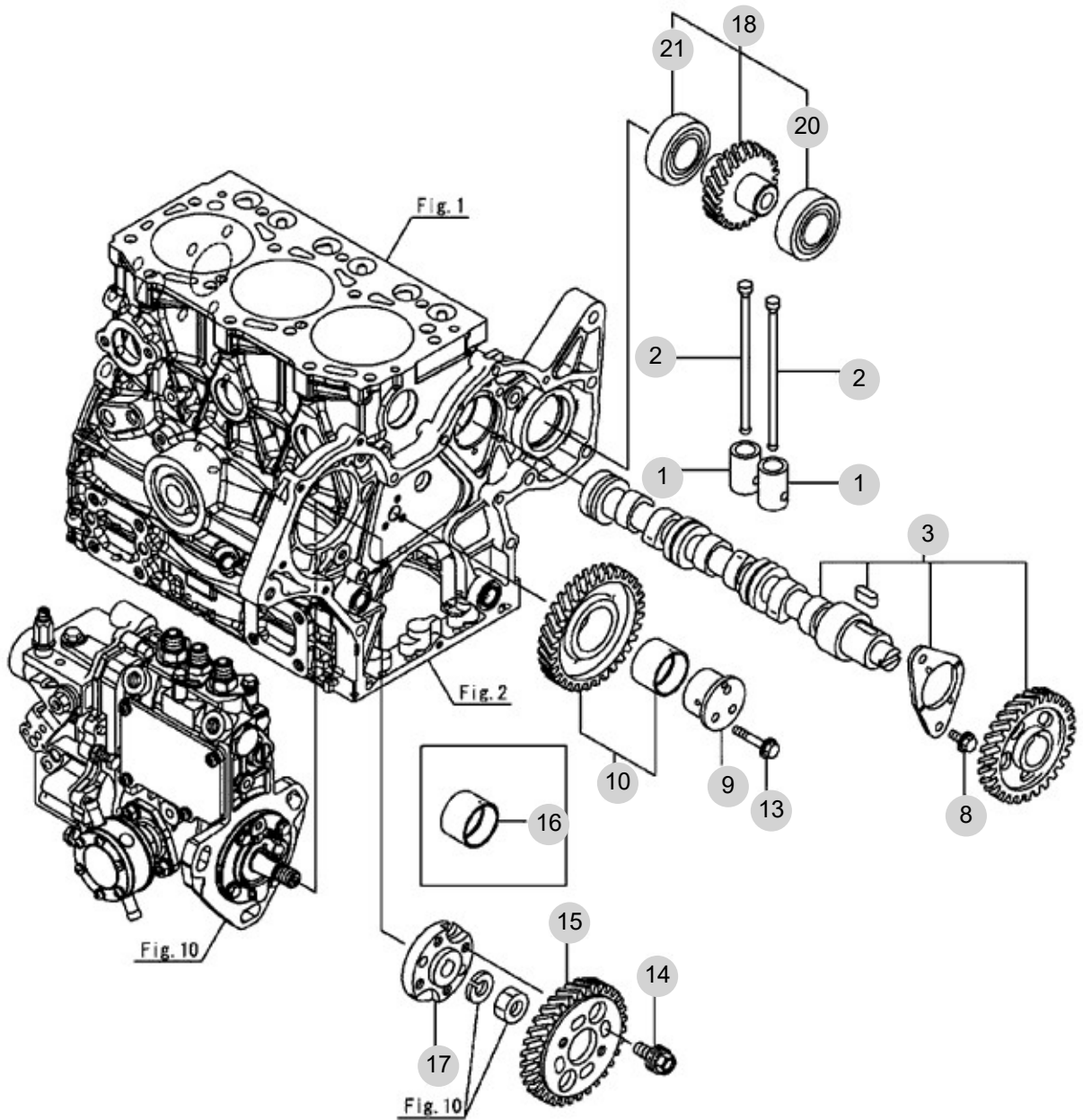
FIG 106

CAMSHAFT & DRIVING GEAR

년/월
Year/Month

2022-12

T194M



NOTE

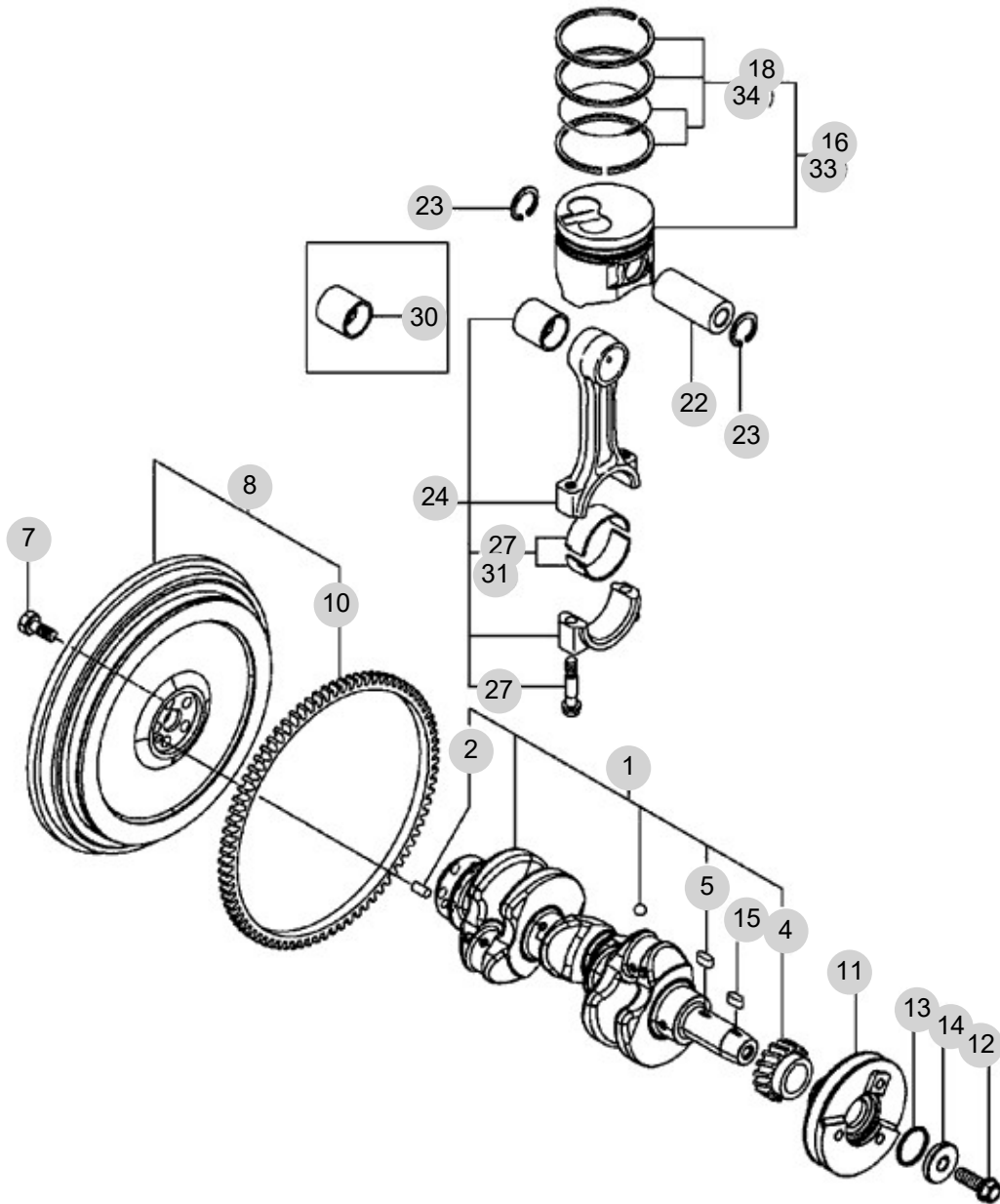
FIG 107

T194M

CRANKSHAFT & PISTON

년/월
Year/Month

2022-12



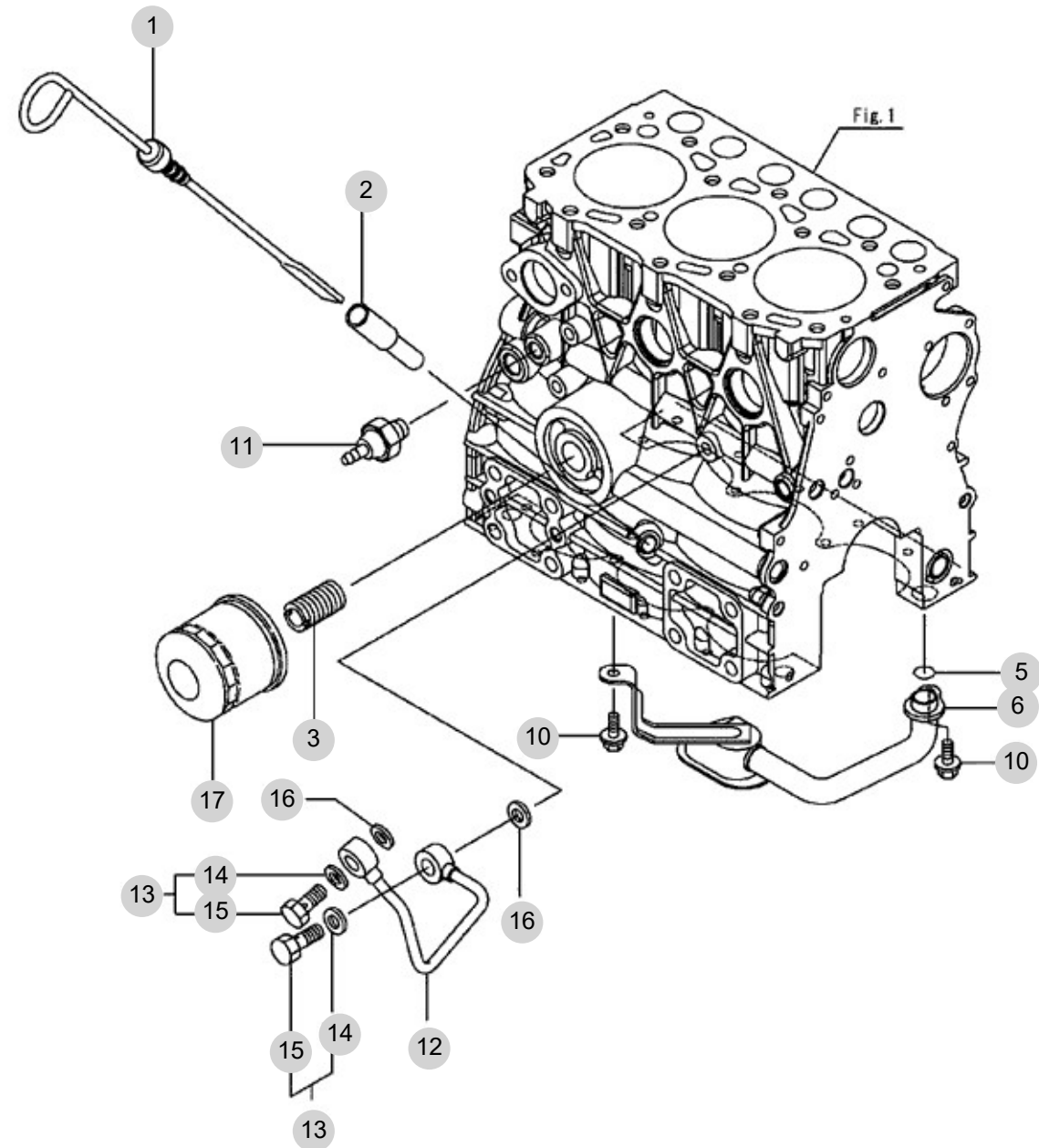
NOTE

FIG 108

LUB OIL SYSTEM

년/월
Year/Month

2022-12



NOTE

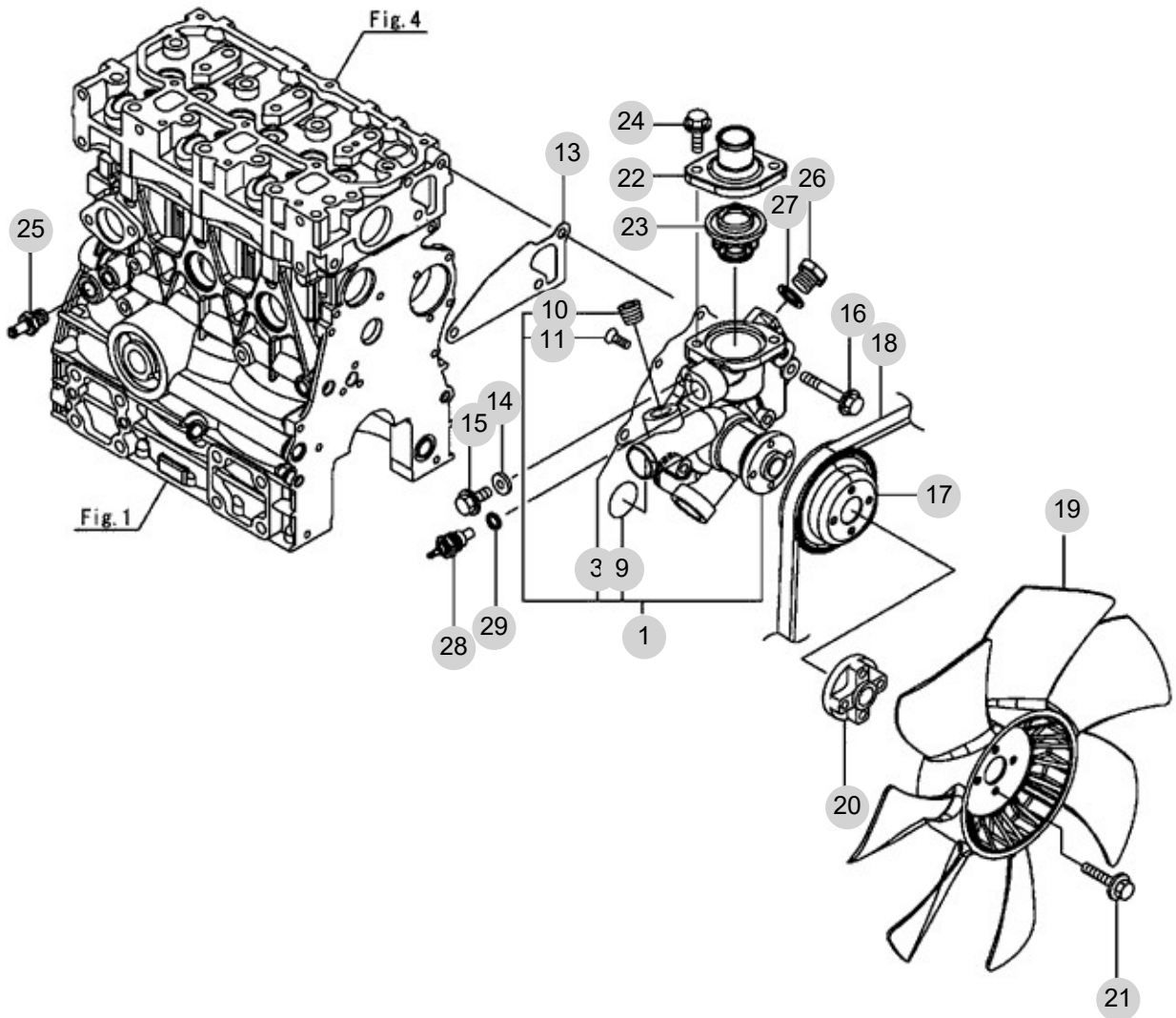
FIG 109

COOLING WATER SYSTEM

년/월
Year/Month

2022-12

T194M



NOTE

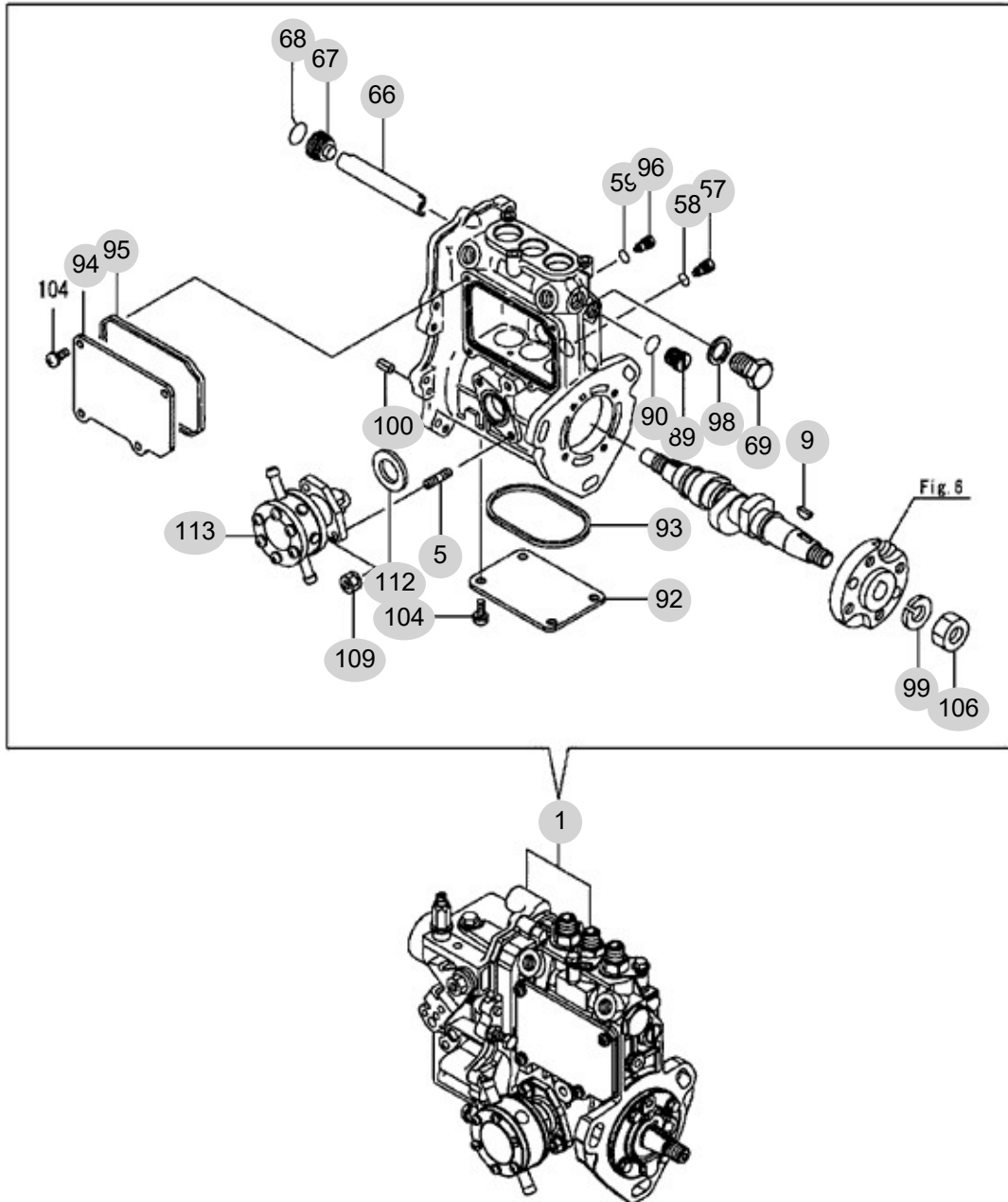
FIG 110

T194M

FUEL INJECTION PUMP

년/월
Year/Month

2022-12



NOTE

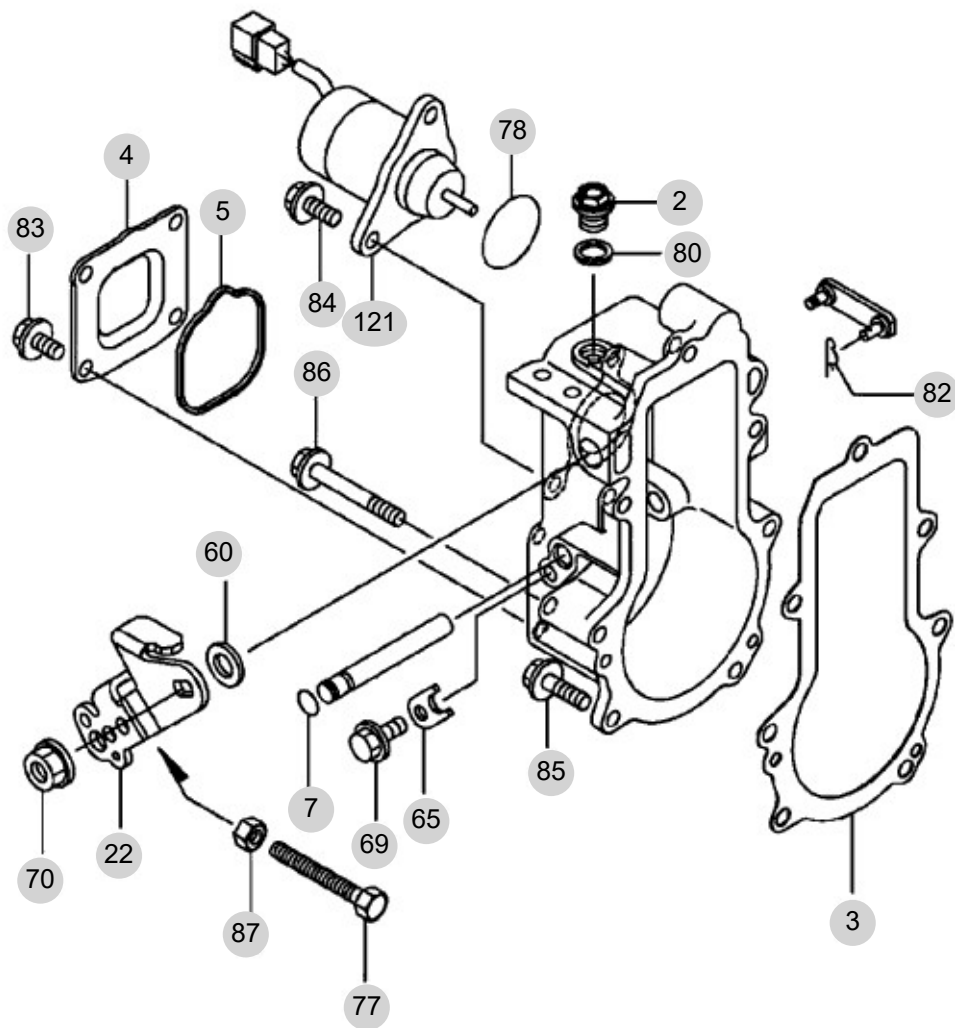
FIG 111

GOVERNOR

년/월
Year/Month

2022-12

T194M



NOTE

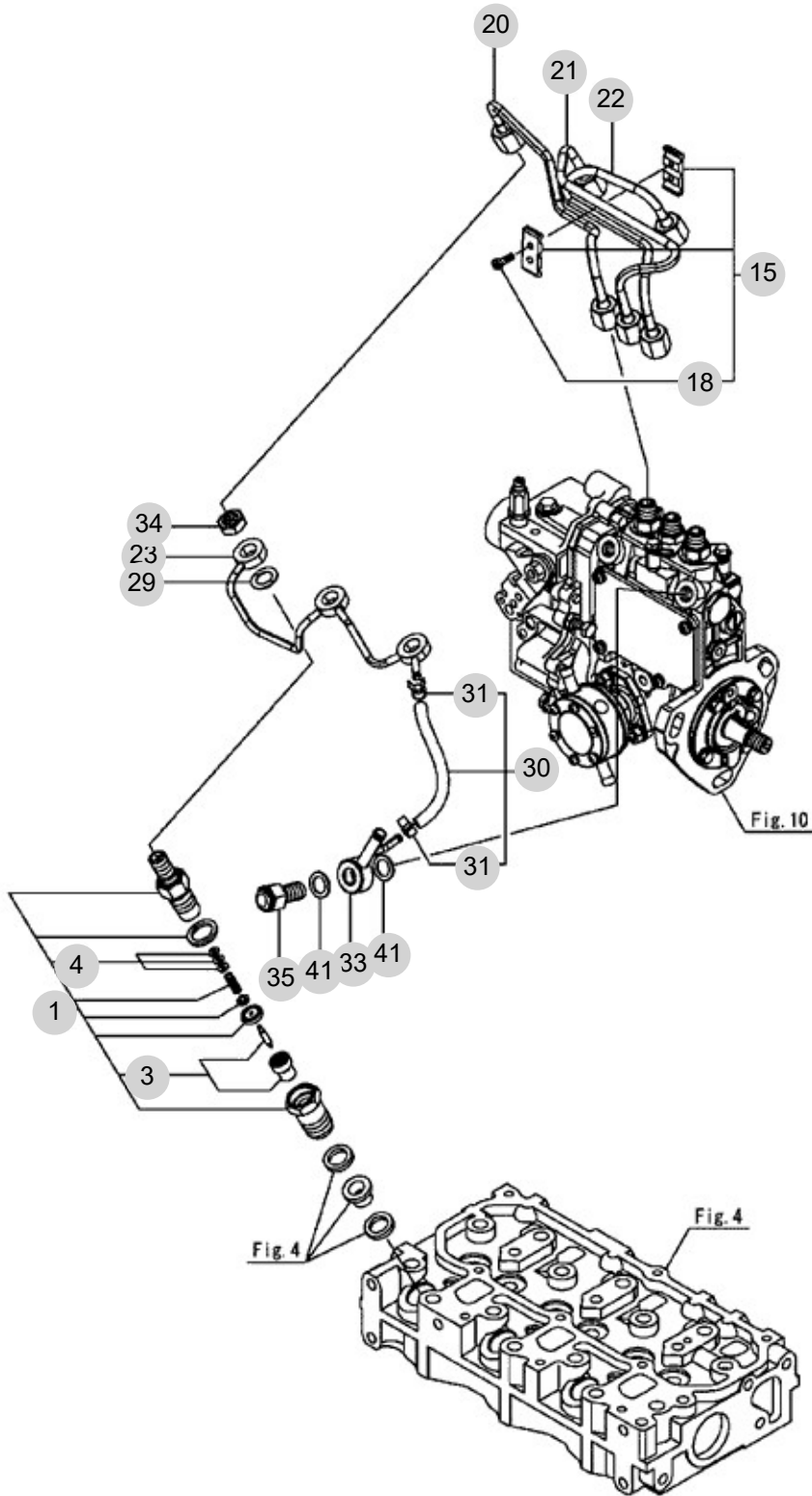
FIG 112

T194M

FUEL INJECTION VALVE

년/월
Year/Month

2022-12



NOTE

FIG 112 T194M	FUEL INJECTION VALVE						년/월 Year/Month

KEY NO	PART NO	DESCRIPTION	SPEC	QTY	REPAIR	EFFECTIVE DATE	REMARKS
112	1	119C10-53000	VALVE ASSY,INJECTION		3		
112	3	119C10-53010	VALVE ASSY,INJECTION		3		
112	4	129901-53800	SHIM SET, ADJUSTING		3		
112	15	129150-59120	RETAINER, PIPE		1		
112	18	129150-59131	BOLT, M4X14		2		
112	20	119C10-59810	PIPE ASSY, INJECTION		1		
112	21	119C10-59820	PIPE, INJECTION NO.2		1		
112	22	119C10-59830	PIPE, INJECTION NO.3		1		
112	23	119515-59540	PIPE ASSY, RETURN		1		
112	29	129901-59560	GASKET, FUEL RETURN		3		
112	30	119540-59570	HOSE ASSY, RETURN		1		
112	31	124066-59100	CLAMP, HOSE 8		2		
112	33	119840-59570	JOINT, OVERFLOW		1		
112	34	119620-59700	NUT, NOZZLE RETURN		3		
112	35	119813-59950	VALVE ASSY, CHECK		1		
112	41	22190-120002	WASHER, SEAL 12		2		

NOTE

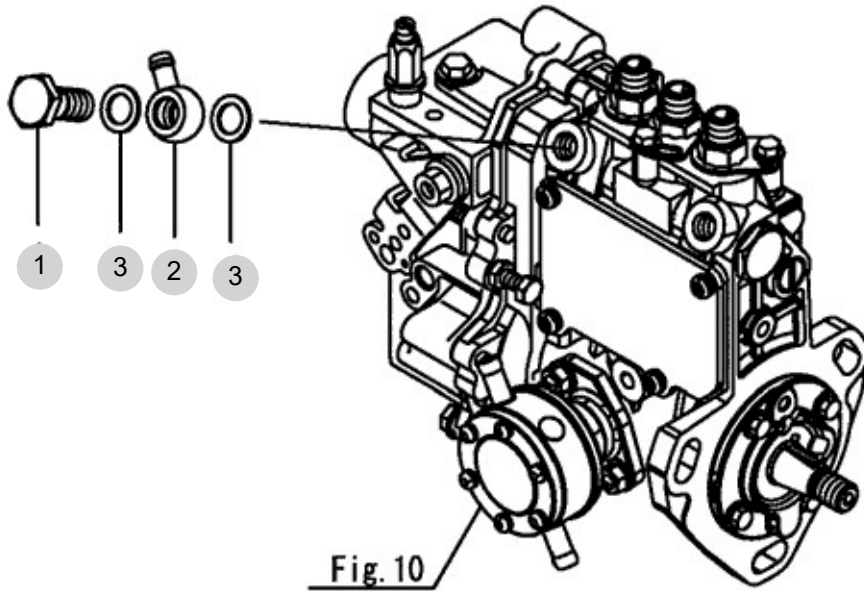
FIG 113

T194M

FUEL PIPE

년/월
Year/Month

2022-12



NOTE

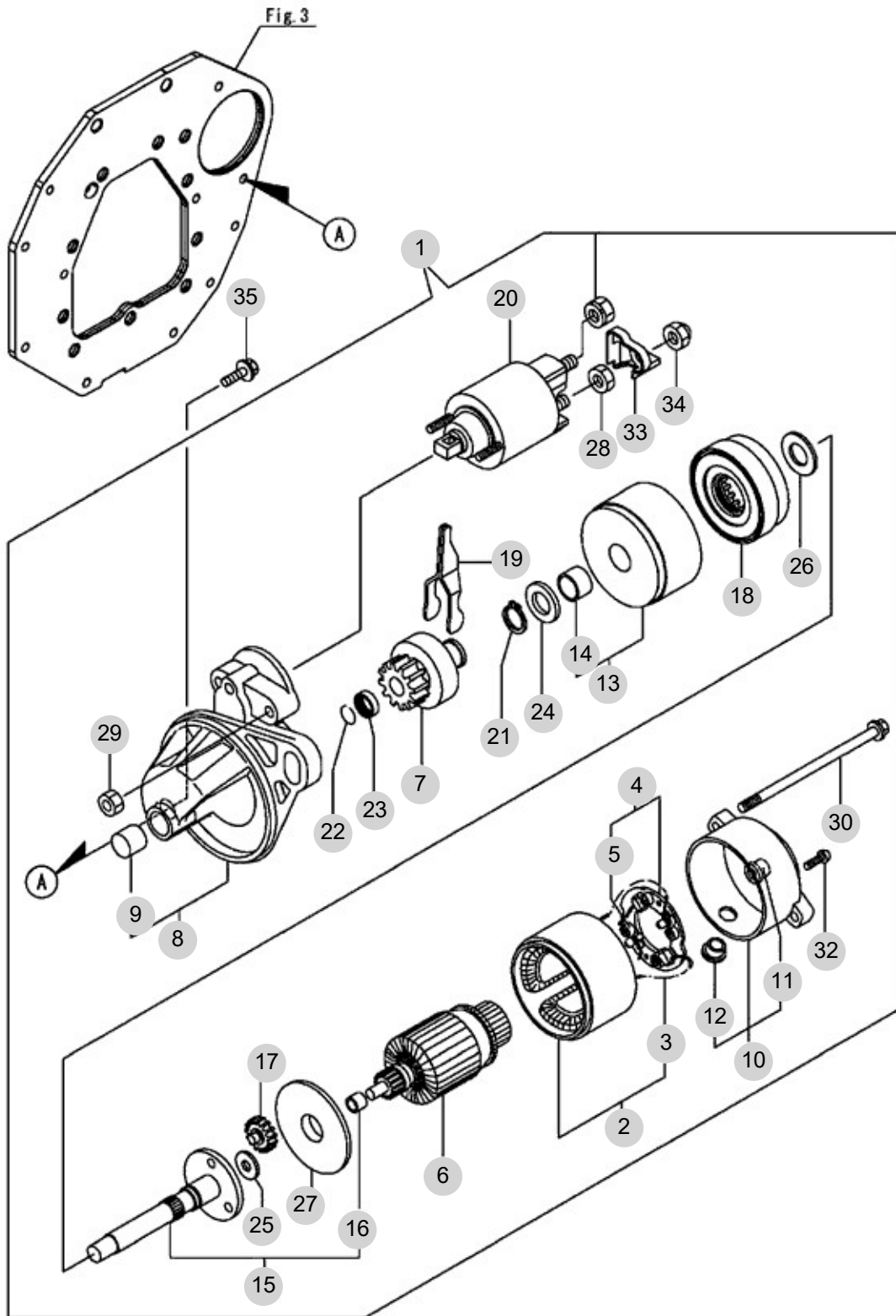
FIG 114

STARTING MOTOR

년/월
Year/Month

2022-12

T194M



NOTE

FIG 114 T194M		STARTING MOTOR					년/월 Year/Month	
							2022-12	

KEY NO	PART NO	DESCRIPTION	SPEC	QTY	REPAIR	EFFECTIVE DATE	REMARKS
114	1	119515-77010	STARTER, P1.0	1			
114	2	X0281007680	YOKE ASSY	1			
114	3	X0280996180	STARTER KIT	2			
114	4	X0285105190	HOLDER ASSY	1			
114	5	X0285205030	SPRING	4			
114	6	X0282005871	ARMATURE ASSY	1			
114	7	X0283006960	CLUTCH	1			
114	8	X4284001590	HOUSING ASSY	1			
114	9	X9491050100	BEARING, NEEDLE	1			
114	10	X0285007030	FRAME ASSY	1			
114	11	X9491040990	BEARING	1			
114	12	X0280626010	COVER	1			
114	13	X0284105040	BEARING ASSY, SUB	1			
114	14	X9491034330	BEARING	1			
114	15	X0286105010	SHAFT ASSY, SUB	1			
114	16	X9491034320	BEARING	1			
114	17	X0286305010	GEAR	3			
114	18	X0286355010	GEAR	1			
114	19	X0287405140	LEVER	1			
114	20	X2534000090	SWITCH ASSY	1			
114	21	X9055715000	RING	1			
114	22	X9490721360	RING	1			
114	23	X0280210331	NUT	1			
114	24	X9490138110	WASHER	1			
114	25	X9490138090	WASHER	1			
114	26	X9490138100	WASHER	1			
114	27	X0284525010	PLATE	1			
114	28	X9490562360	NUT	1			
114	29	X9490560750	NUT	2			
114	30	X9490423520	BOLT, THROUGH	2			
114	32	X9490065670	SCREW, M4X6	2			
114	33	X1280330020	커버, 터미널	1			
114	34	X1289510130	NUT	1			
114	35	26106-100202	육각플랜지볼트	2			

NOTE

FIG 115

GENERATOR

년/월
Year/Month

2022-12

T194M

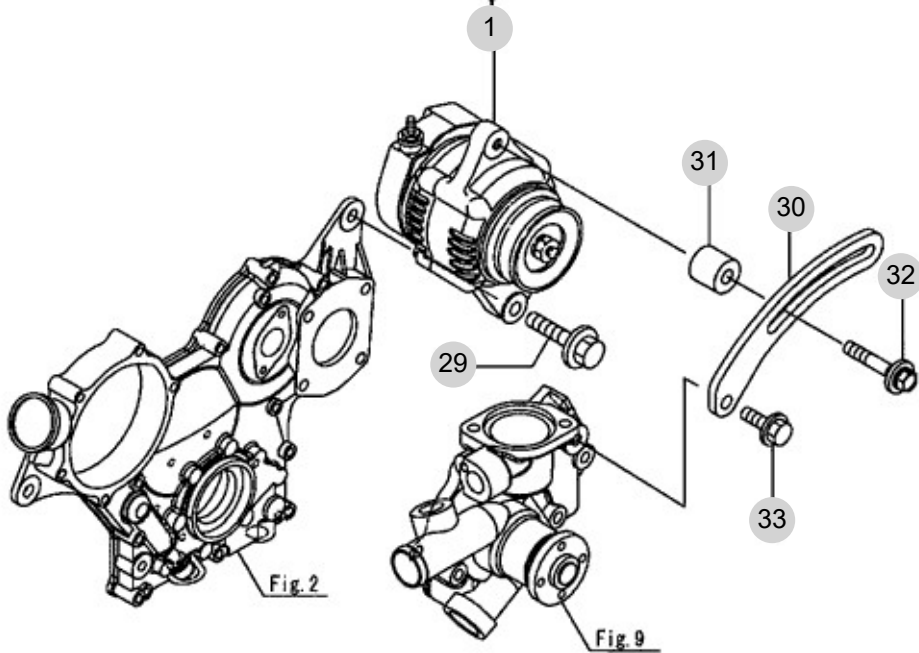
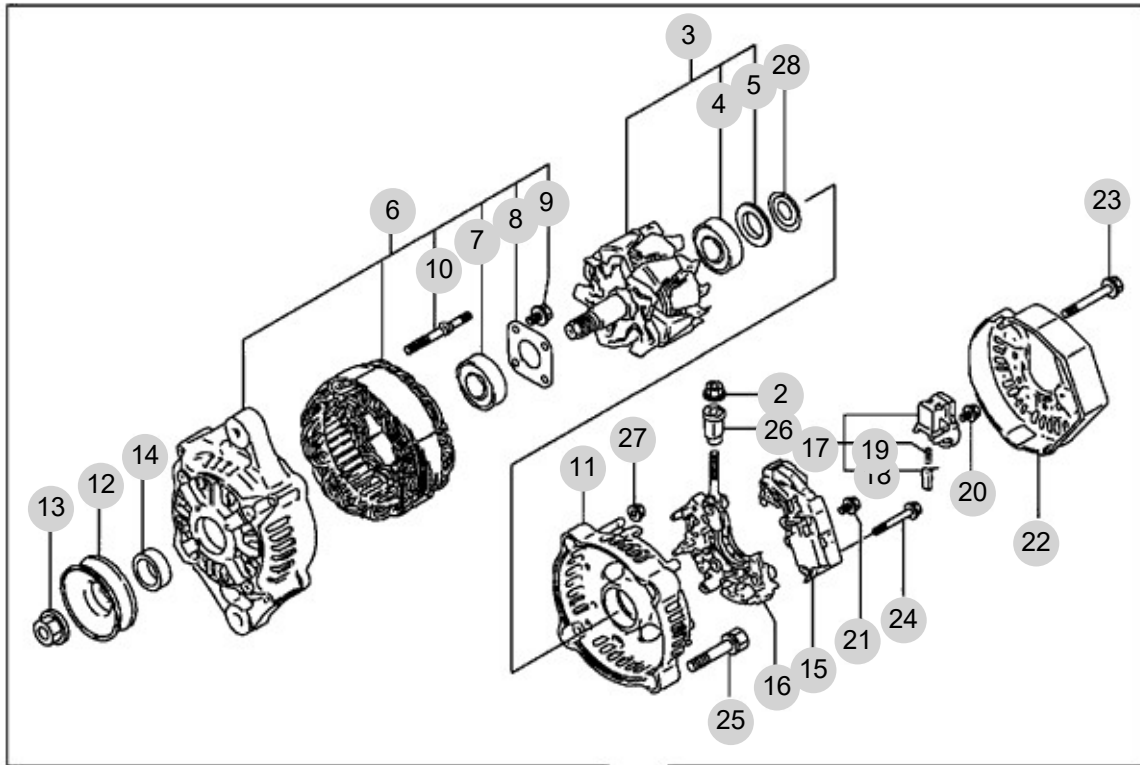


Fig. 2

Fig. 9

NOTE

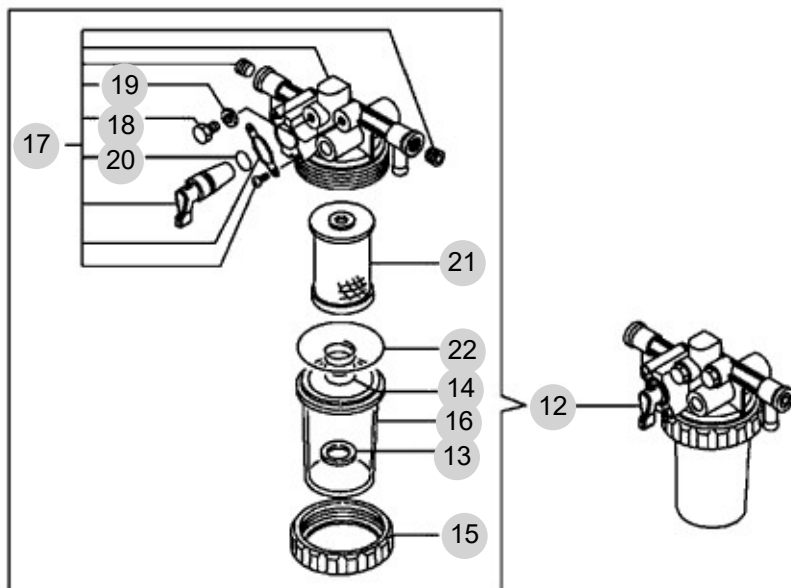
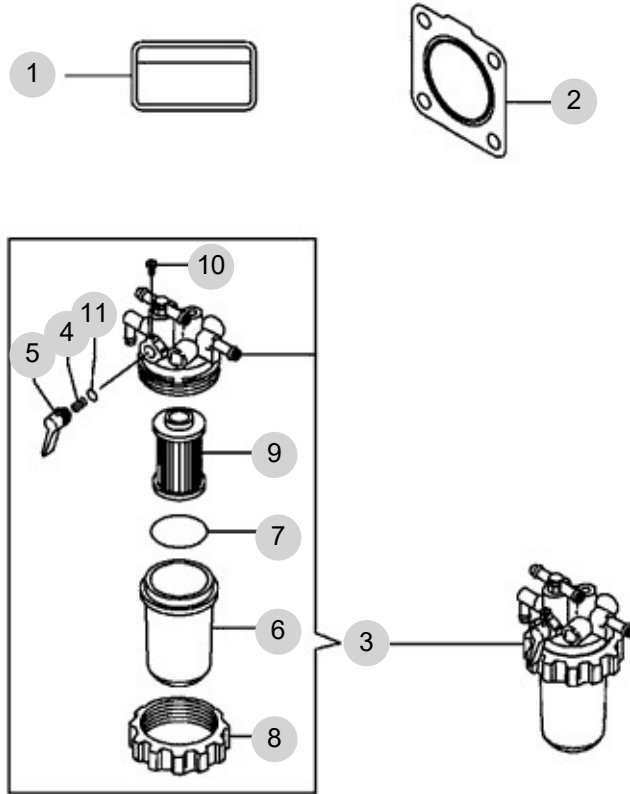
FIG 116

T194M

ACCESSORY

년/월
Year/Month

2022-12



NOTE

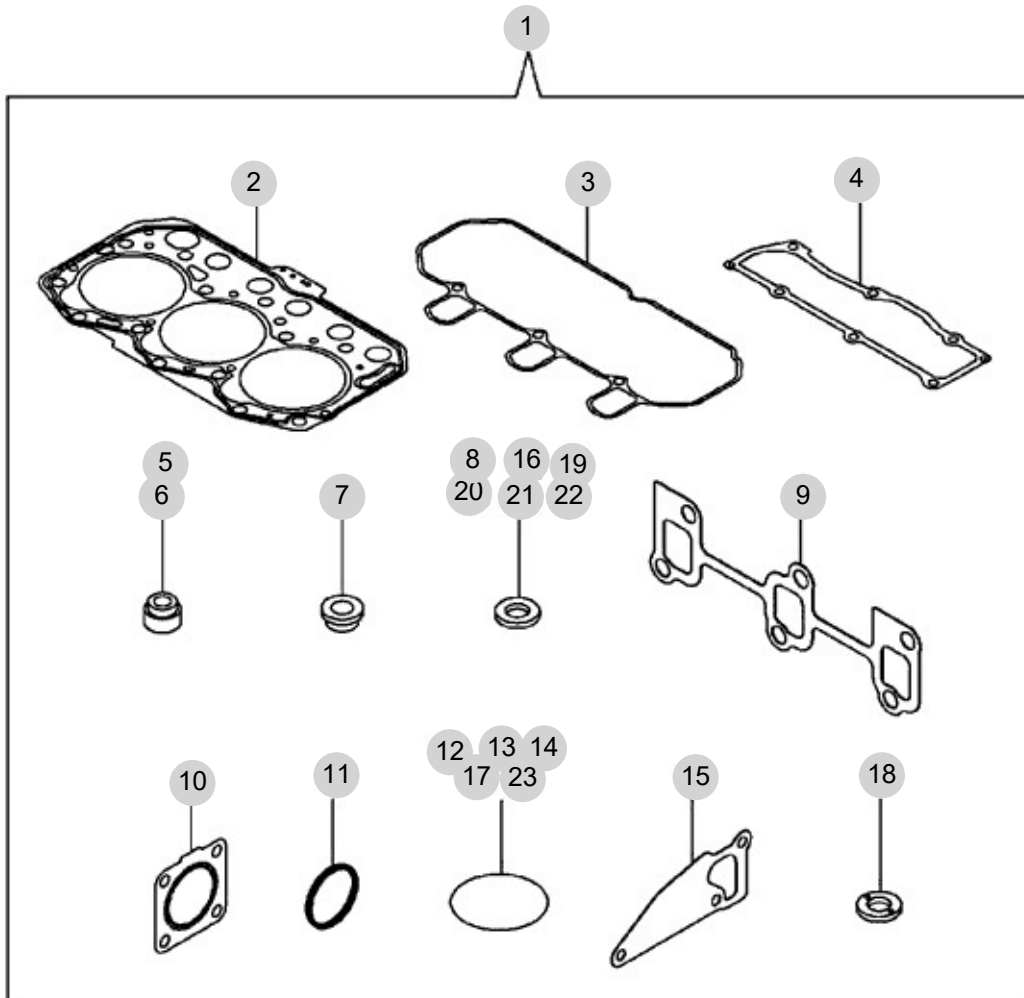
FIG 117

T194M

GASKET SET

년/월
Year/Month

2022-12



22
14
16
13

12

23

NOTE

15

2. 엔진보기품 PART NO. T2

FIG 201 AIR CLEANER	42
FIG 202 RADIATOR	44
FIG 203 MUFFLER	46
FIG 204 FUEL TANK & FUEL LINE	48
FIG 205 ACCELERATOR	50
FIG 206 FUEL FILTER	53
FIG 207 ENGINE MOUNTING	55

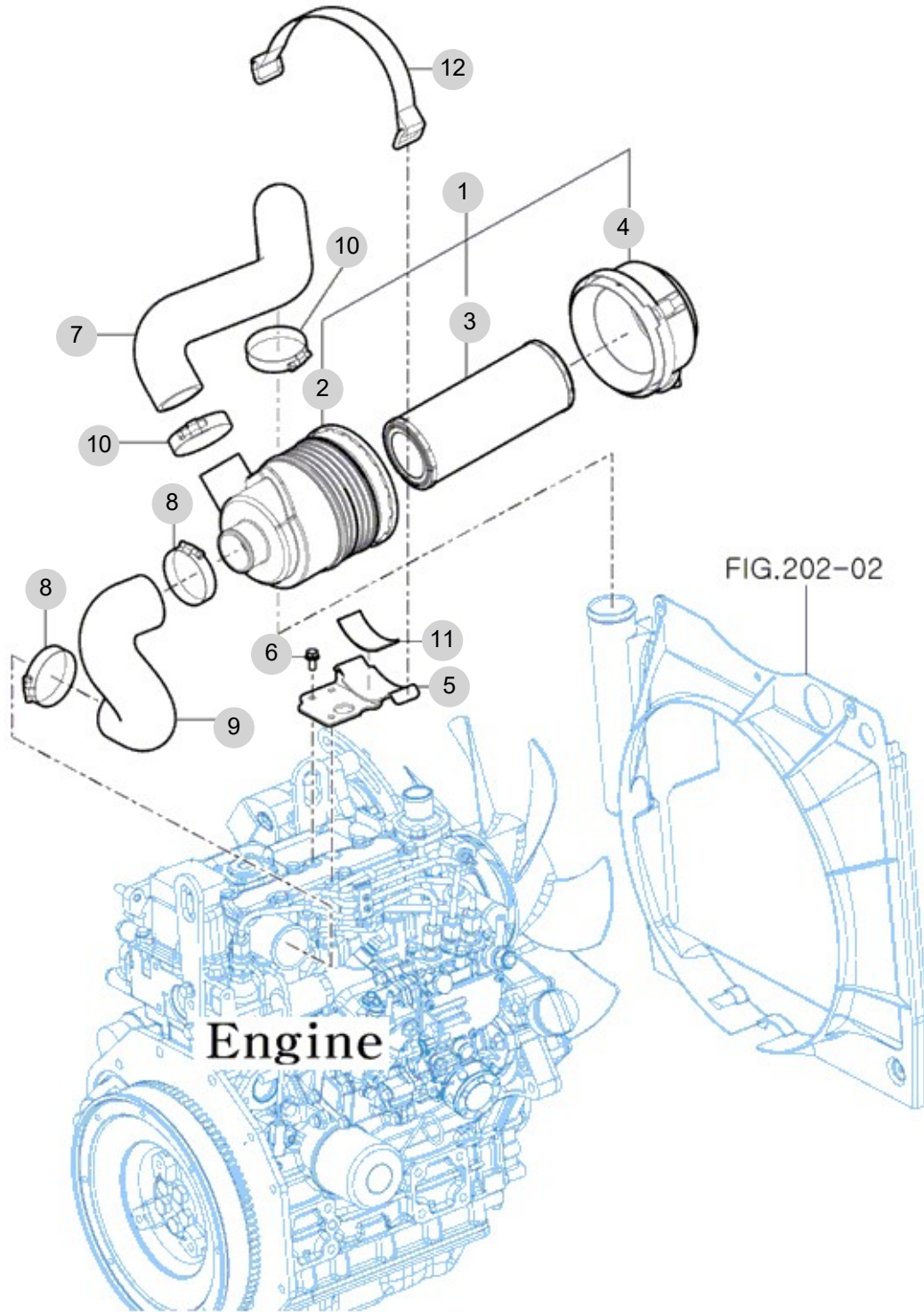
FIG 201

T194M

AIR CLEANER

년/월
Year/Month

2022-12



NOTE

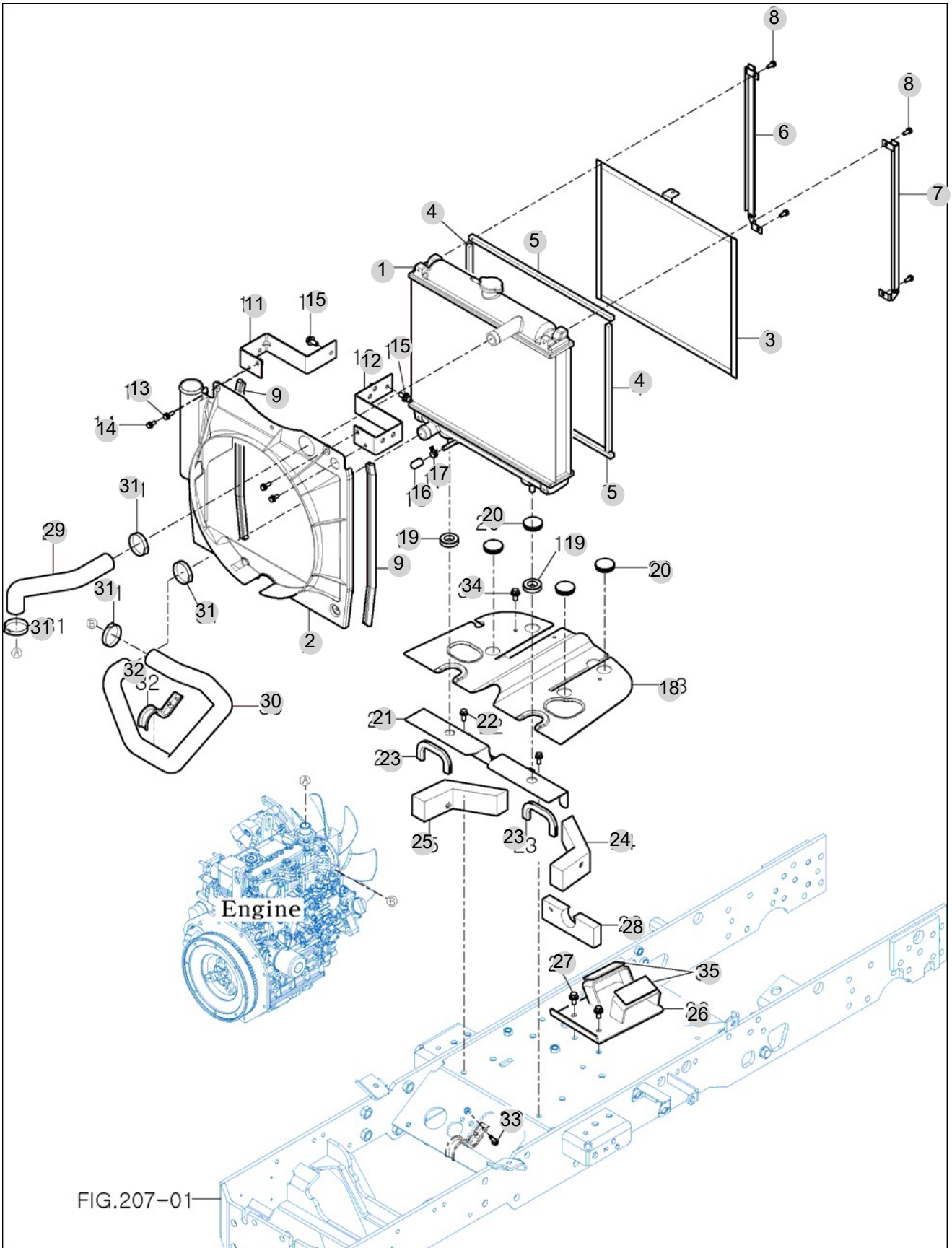
FIG 202

RADIATOR

년/월
Year/Month

2022-12

T194M



NOTE

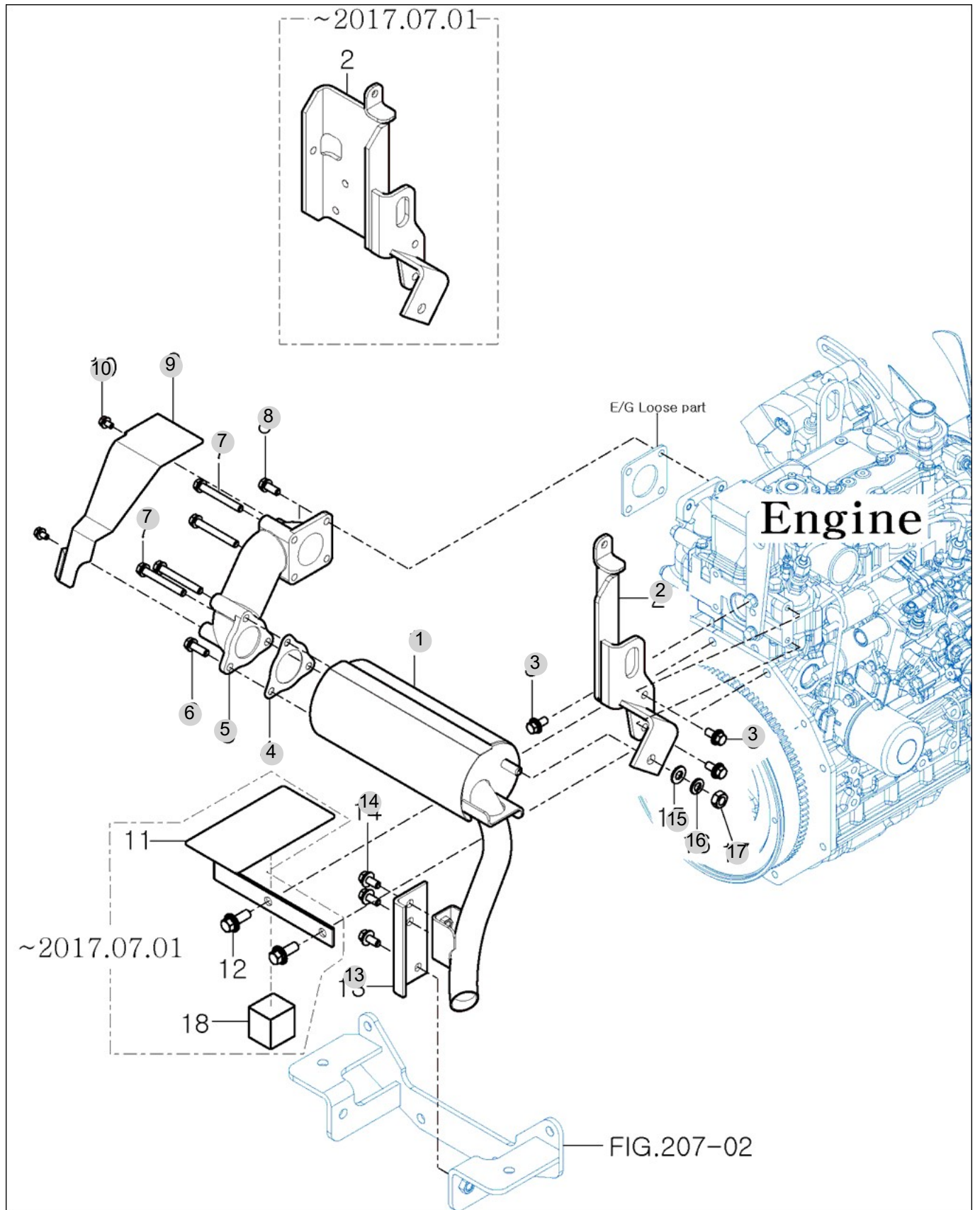
FIG 203

MUFFLER

년/월
Year/Month

2022-12

T194M



NOTE

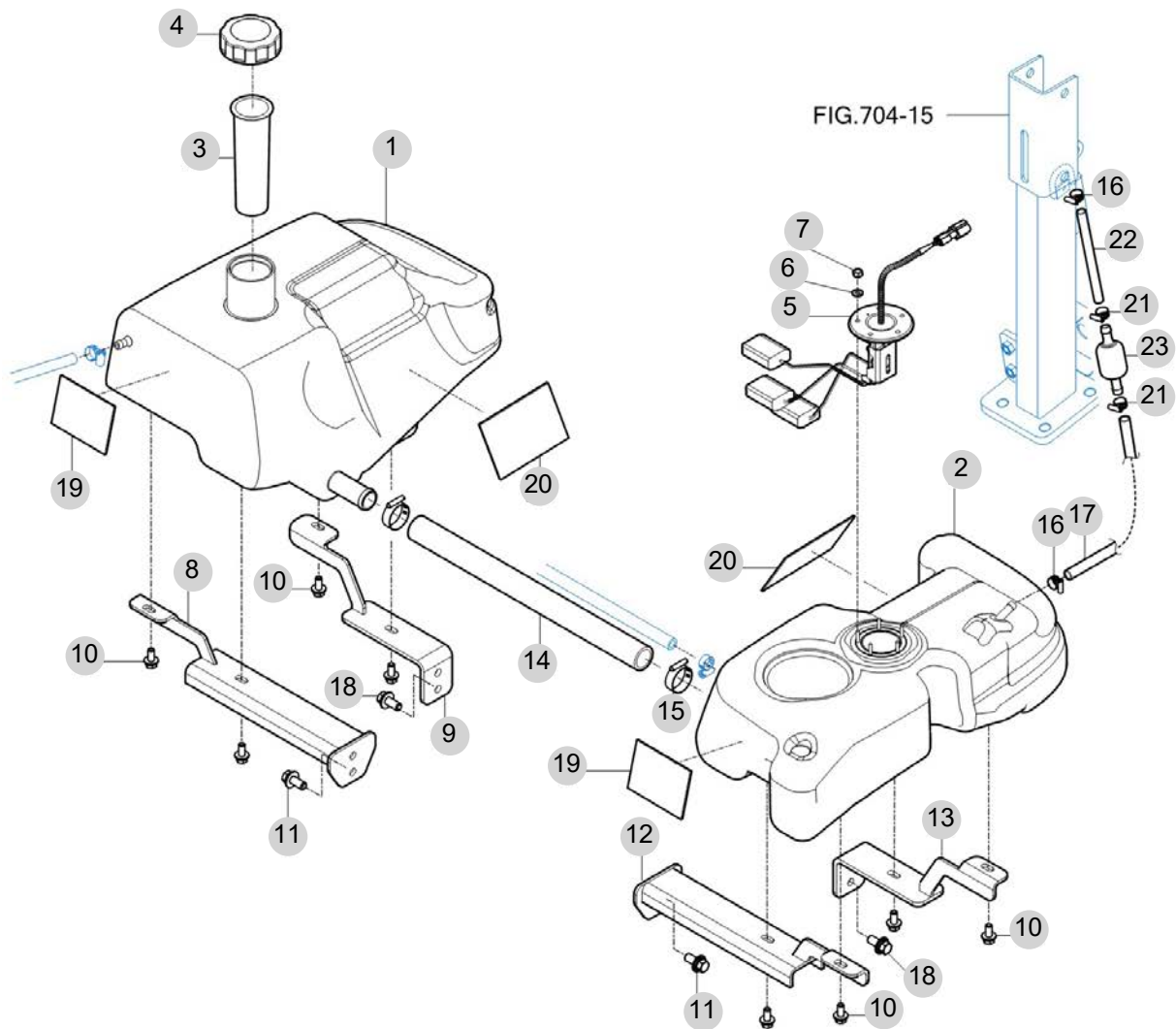
FIG 204

T194M

FUEL TANK & FUEL LINE

년/월
Year/Month

2022-12



NOTE

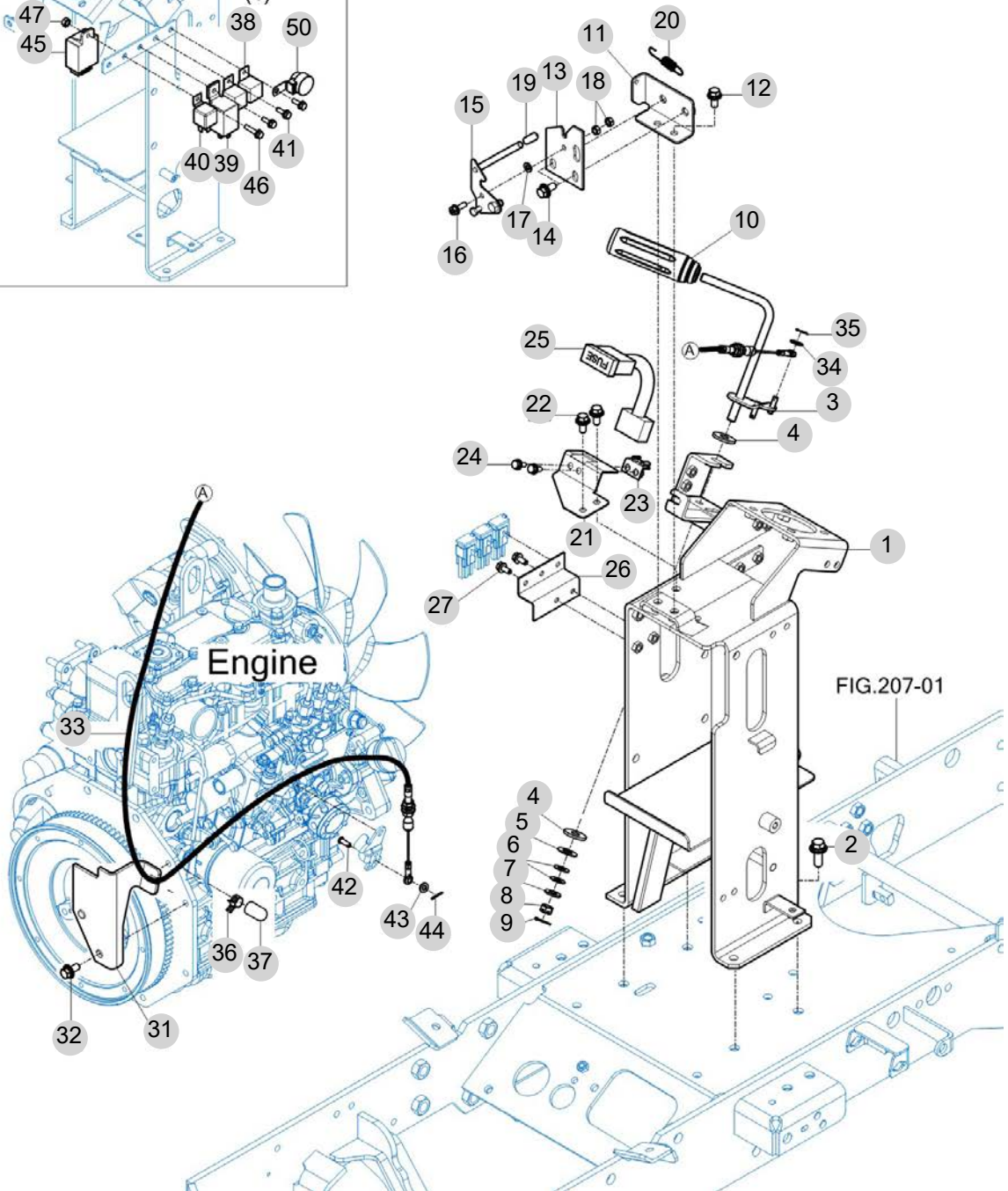
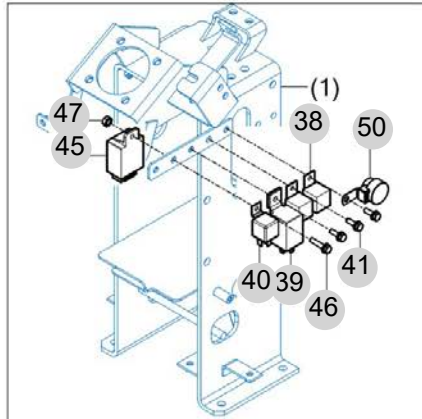
FIG 205

T194M

ACCELERATOR

년/월
Year/Month

2022-12



NOTE

FIG 205		ACCELERATOR						년/월 Year/Month	
								2022-12	
T194M		KEY NO	PART NO	DESCRIPTION	SPEC	QTY	REPAIR	EFFECTIVE DATE	REMARKS
205	1	11611811000GB	대시패널 COMP			1			
205	2	V2183610025	소형육각볼트보통(SP)	M10X25		4			
205	3	11611812500GB	레버 COMP , 액셀레이터			1			
205	4	15965120021	라이닝(11X30X03)			2			
205	5	36104400180	소입폴리핀 와셔			1			
205	6	14527060010	접시스프링와셔/M10			2			
205	7	V4111600100	평와셔			1			
205	8	V3232600100	소형홍불이육각너트저형	M10		1			
205	9	V5001920015	분할핀			1			
205	10	17681170050	그립(리버스)			1			
205	11	14136011300GB	후드(잠금/G) COMP			1			
205	12	V2183608020	소형육각볼트보통(SP)	M8X20		2			
205	13	11616024210	후드 스테이 B			1			
205	14	V2183608020	소형육각볼트보통(SP)	M8X20		2			
205	15	11616024100	스테이 COMP , 후드 A			1			
205	16	V2003606020	육각볼트(보통)	M6X20		1			
205	17	V4111600060	평와셔	M6		1			
205	18	V3013600060	육각너트보통2종			2			
205	19	14445070030	레버손잡이			1			
205	20	14143120020	텐션스프링 (53)			1			
205	21	11611812300GB	브래킷, 퓨즈박스			1			
205	22	V2183608020	소형육각볼트보통(SP)	M8X20		2			
205	23	18507024200	퓨즈박스 브래킷 COMP			1			
205	24	V2123606016	육각볼트(SP)	M6X16		2			
205	25	11616802500	퓨즈박스 ASSY			1			
205	26	11611812400GB	퓨즈 플레이트			1			
205	27	V2123606016	육각볼트(SP)	M6X16		2			
205	29	119C10-77600	드라이버, 솔레노이드			1			
205	30	V2123606020	육각볼트(SP)	M6X20		2			
205	31	11611611100GB	액셀 와이어 홀더 COMP			1			
205	32	V2183610020	소형육각볼트보통(SP)	M10X20		1			
205	33	10501812600	액셀 케이블 ASS'Y			1			
205	34	V4111600060	평와셔	M6		1			
205	35	V5001920020	분할핀			1			
205	36	36423600080	호스클립(D=12.5)			1			
205	37	12651040300	캠 , 라디에이터			1			
205	38	14946212901	5P 릴레이			2			
205	39	15606642401	플래셔(3P/금색)			1			
205	40	17686641110	예열릴레이			1			
205	41	V2123606016	육각볼트(SP)	M6X16		4			
205	42	11111162411	핀 , 액셀레이터			1			
205	43	V4111600060	평와셔	M6		1			
205	44	V5601600008	스냅핀	8		1			
205	45	20115300010	릴레이(TWIN) ASSY			1			
205	46	V2123606025	육각볼트(SP)	M6X25		1			
NOTE									

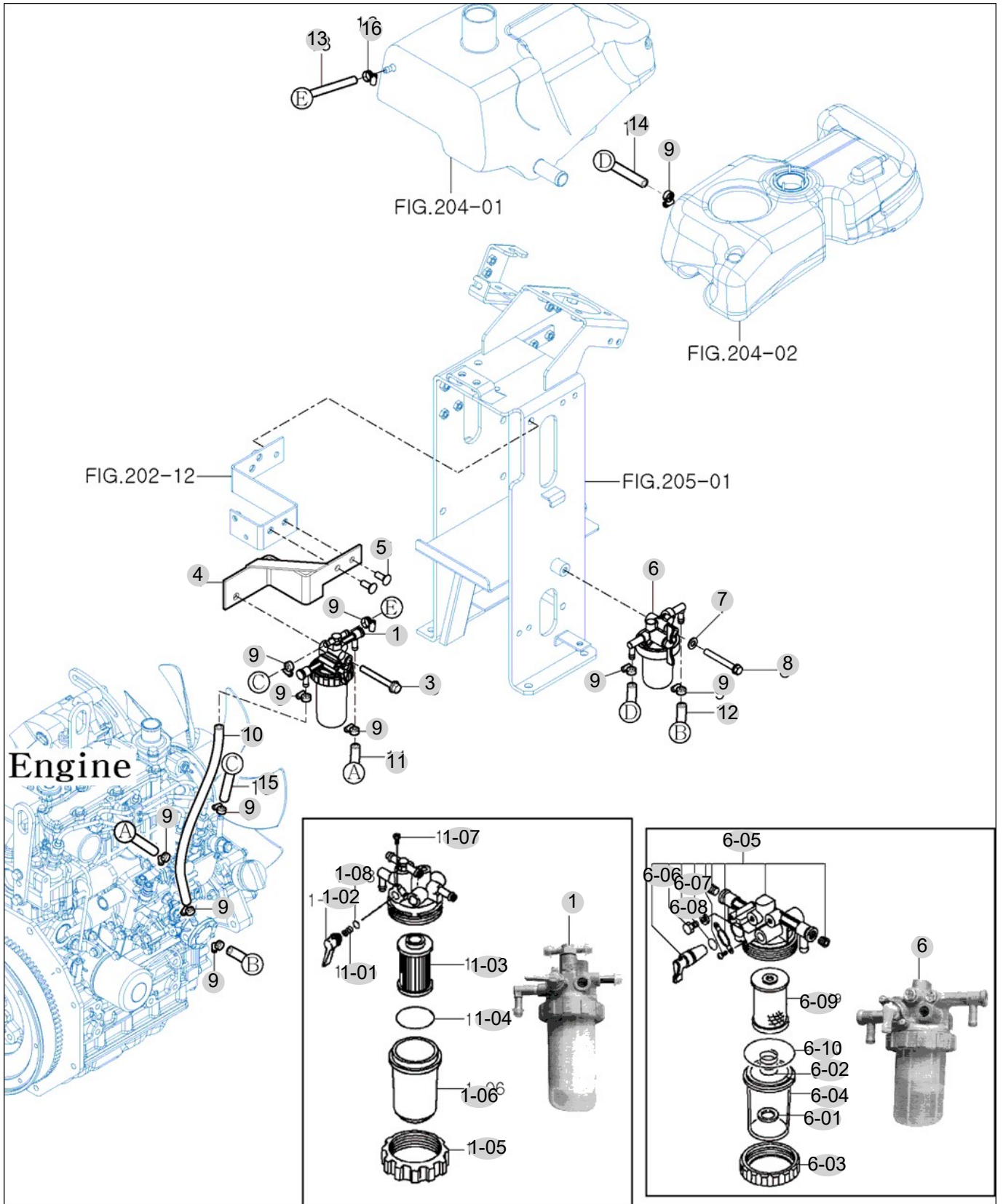
FIG 206

T194M

FUEL FILTER

년/월
Year/Month

2022-12



NOTE

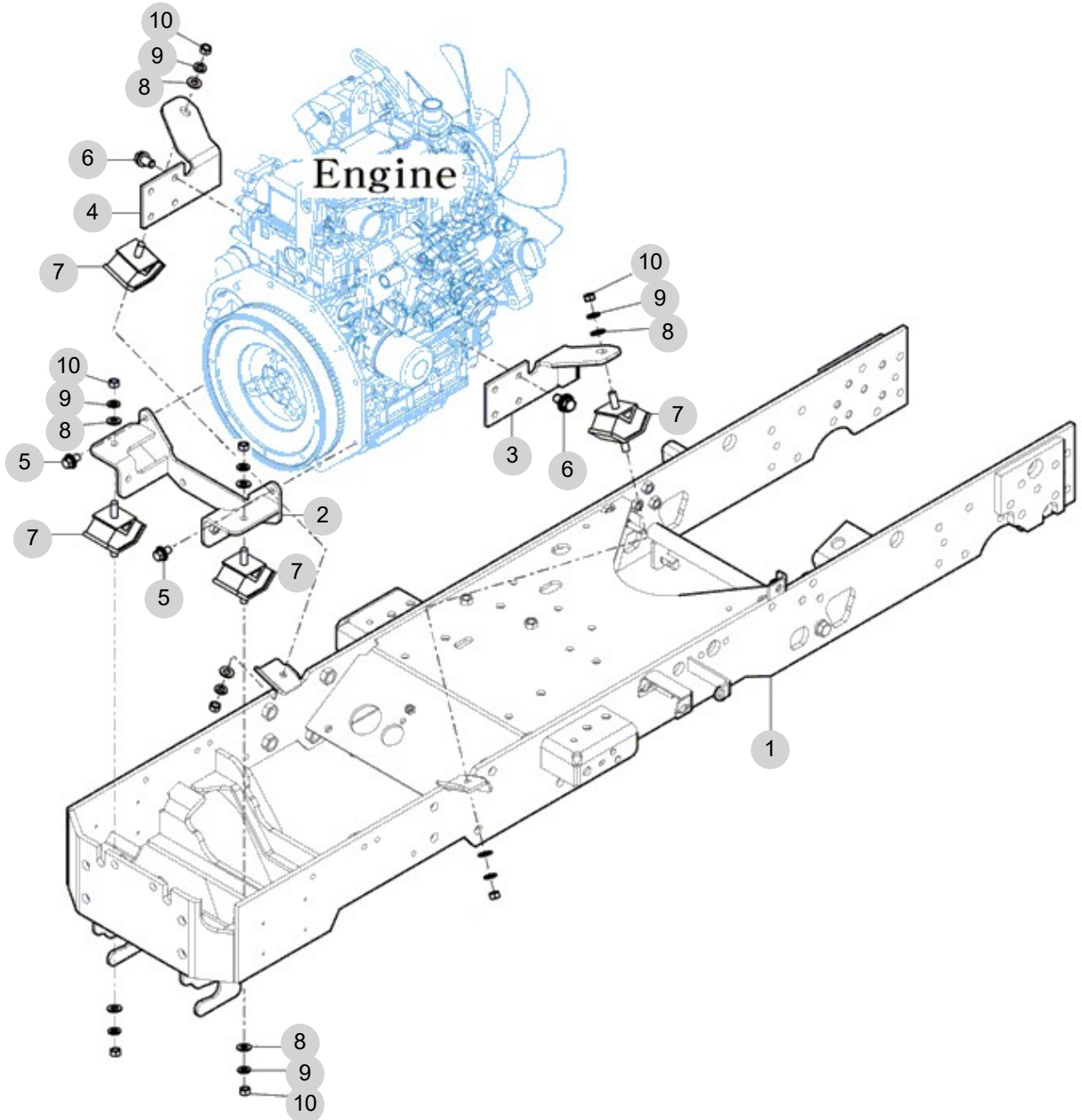
FIG 207

ENGINE MOUNTING

년/월
Year/Month

2022-12

T194M



NOTE

FIG 207 T194M		ENGINE MOUNTING					년/월 Year/Month			
							2022-12		REMARKS	
							KEY NO	PART NO	DESCRIPTION	SPEC
207	1	11611011000ED	메인 프레임 COMP		1					
207	2	11611012700GB	마운팅 브래킷 COMP, 후		1					
207	3	11611012500GB	마운팅 브래킷 COMP, LH		1					
207	4	11611012600GB	마운팅 브래킷 COMP, RH		1					
207	5	V2183610020	소형육각볼트보통(SP)	M10X20	4					
207	6	V2183610025	소형육각볼트보통(SP)	M10X25	8					
207	7	36501510110	엔진 마운트 고무		4					
207	8	V4111600100	평와셔	M10	8					
207	9	V4011600100	스프링와셔	M10	8					
207	10	V3042600100	소형육각너트보통2종	M10	8					
NOTE										

3. 클러치/브레이크/스티어링 PART NO. T3

FIG 302 BRAKE PEDAL & LINKAGE	58
FIG 303 SPEED CONTROL	60
FIG 304 DASH COVER	62
FIG 305 STEERING VALVE	64
FIG 306 STEERING CYLINDER	66
FIG 307 TIRE	68

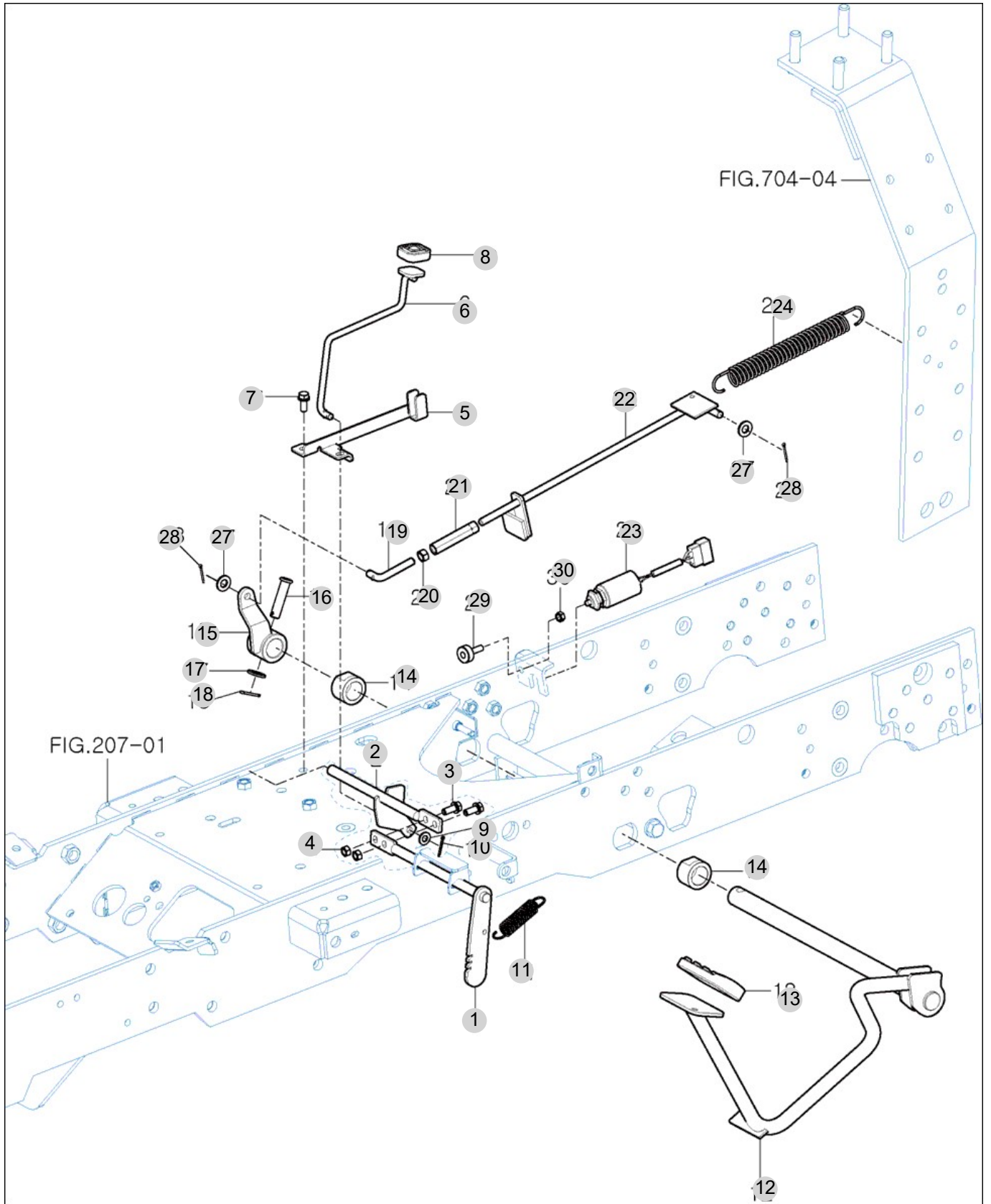
FIG 302

T194M

BRAKE PEDAL & LINKAGE

년/월
Year/Month

2022-12



NOTE

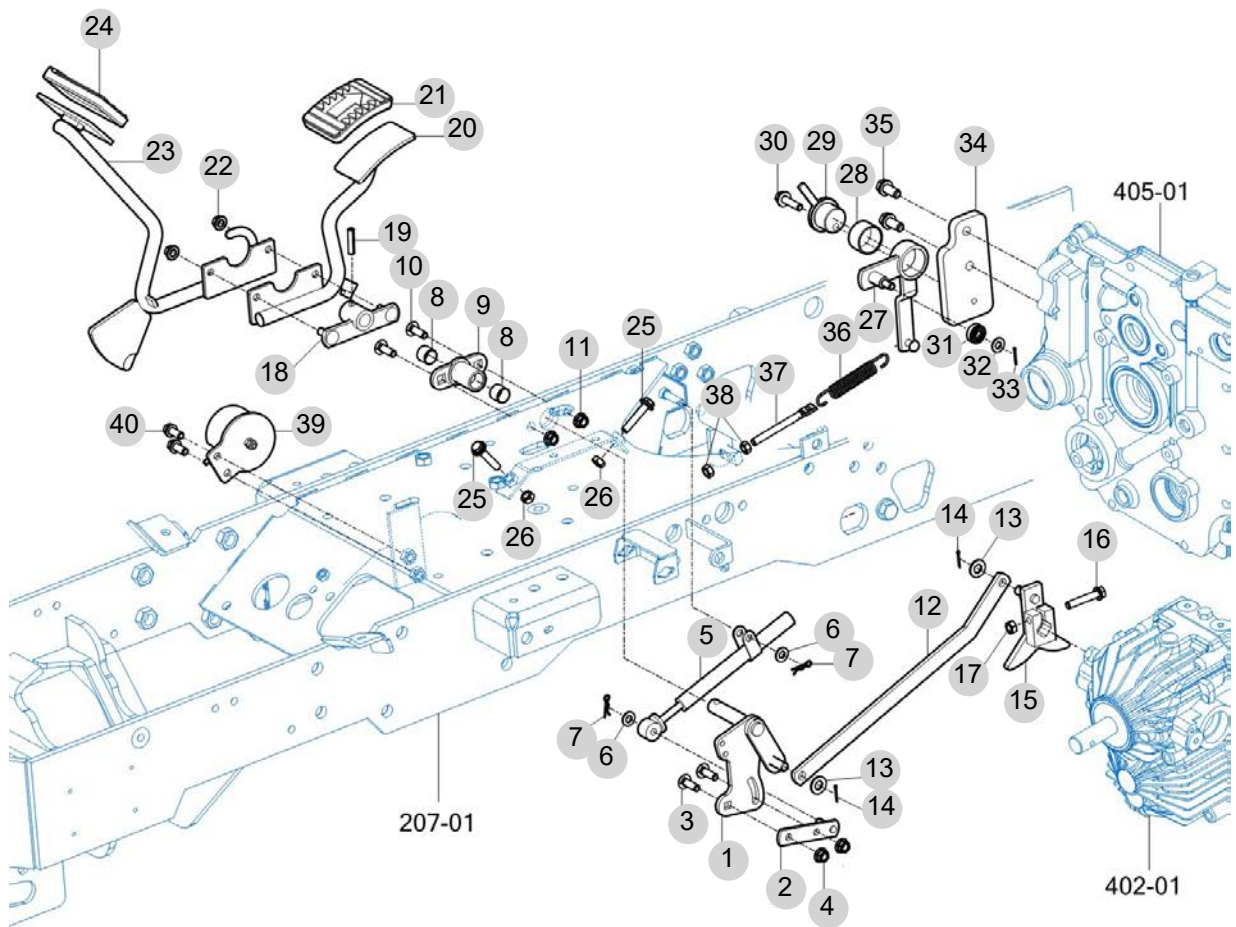
FIG 303

SPEED CONTROL

년/월
Year/Month

2022-12

T194M



NOTE

FIG 303 T194M		SPEED CONTROL					년/월 Year/Month	
							2022-12	
KEY NO	PART NO	DESCRIPTION	SPEC	QTY	REPAIR	EFFECTIVE DATE	REMARKS	
303	1	11612326100	HST 페달 링크 COMP		1			
303	2	11612326200GB	댐퍼 핀 COMP		1			
303	3	11616402400	4각 목 동근머리 볼트		2			
303	4	V3802600080	플랜지볼이육각너트	M8	2			
303	5	14722312401	오일 댐퍼	1X1X1	1			
303	6	V4111600080	평와셔	M8	2			
303	7	V5601600008	스냅핀	8	2			
303	8	15603142910	부시(16X18X15)	LFB-1615	2			
303	9	11612320110	보스		1			
303	10	11612320050	4각 목 동근머리 볼트		2			
303	11	V3802600100	플랜지볼이육각너트	M10	2			
303	12	11612320040GB	컨트롤 플레이트		1			
303	13	V4111600100	평와셔	M10	2			
303	14	V5001920015	분할핀	2X15	2			
303	15	11612323000	홀더 COMP		1			
303	16	V2173608045	소형육각볼트보통(S)	M8X45	1			
303	17	V3042600080	소형육각너트보통2종	M8	1			
303	18	11612327000GB	페달보스 COMP		1			
303	19	V5801408032	스프링핀		1			
303	20	11632322100GB	페달 COMP(후)		1			
303	21	11612322010	패드, 전진 페달		1			
303	22	V3802600080	플랜지볼이육각너트	M8	2			
303	23	11632322200GB	페달 COMP(전)		1			
303	24	14722312730	패드	1X1X1	1			
303	25	V2013608030	소형육각볼트(보통)	M8X30	2			
303	26	V3042600080	소형육각너트보통2종	M8	2			
303	27	11612324200	캠 암 COMP		1			
303	28	11612324010	부시		1			
303	29	11612324400	중립 레버 COMP		1			
303	30	V2143610035	소형육각볼트가는(S)		1			
303	31	14722310060	볼베어링(608DD)		1			
303	32	V4111600080	평와셔	M8	1			
303	33	V5001920015	분할핀	2X15	1			
303	34	11612324310GB	브래킷		1			
303	35	V2174610035	소형육각볼트보통(S)	M10X35	2			
303	36	14722310032	스프링(리턴)	D=2.4	1			
303	37	34522150080	체인 텐션 로드(82)	D=8	1			
303	38	V3042600080	소형육각너트보통2종	M8	2			
303	39	12382323001	크루저 콘트롤 마그네틱 ASSY		1			
303	40	V2173608020	소형육각볼트보통(S)	M8X20	2			
NOTE								

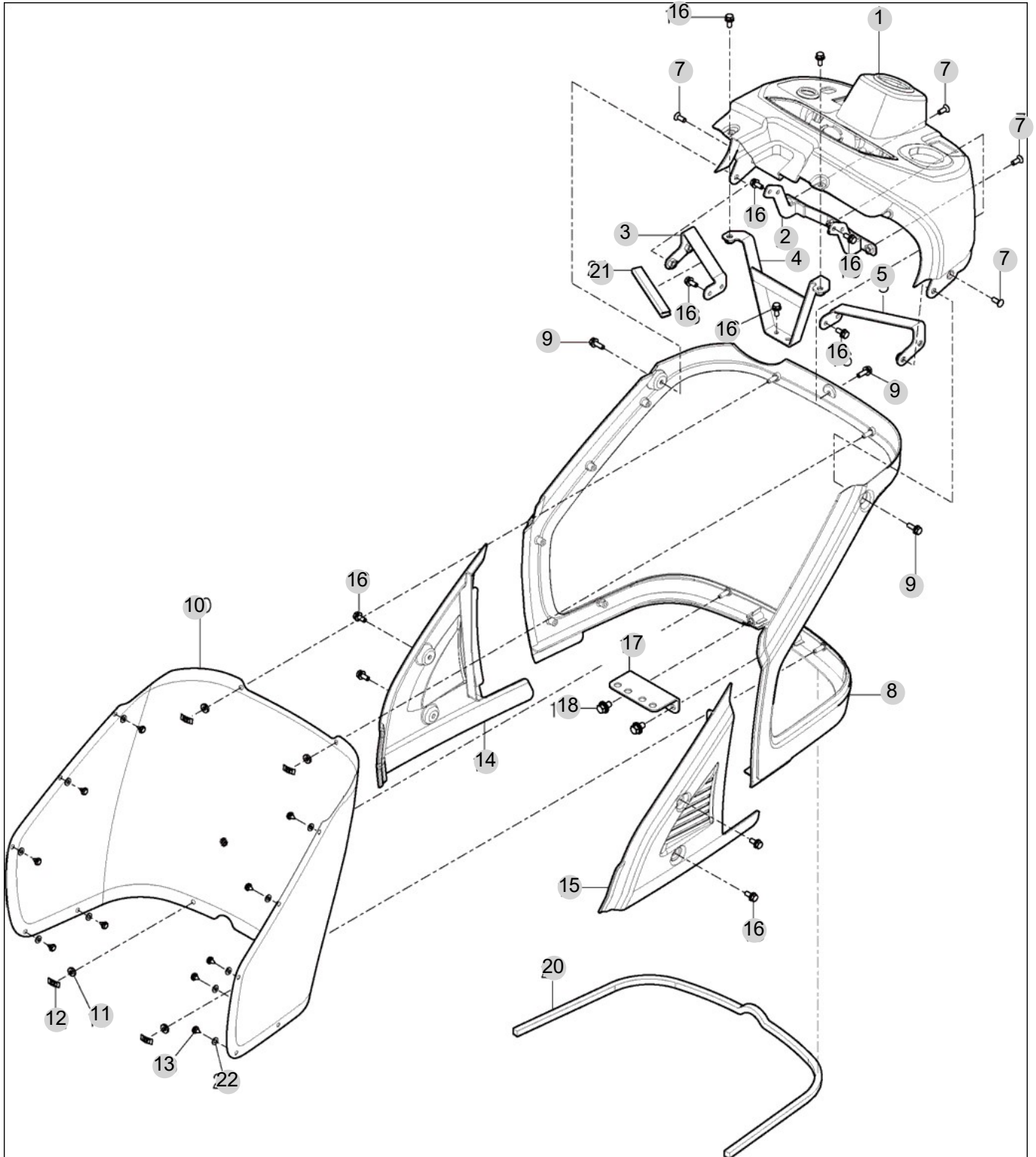
FIG 304

DASH COVER

년/월
Year/Month

2022-12

T194M



NOTE

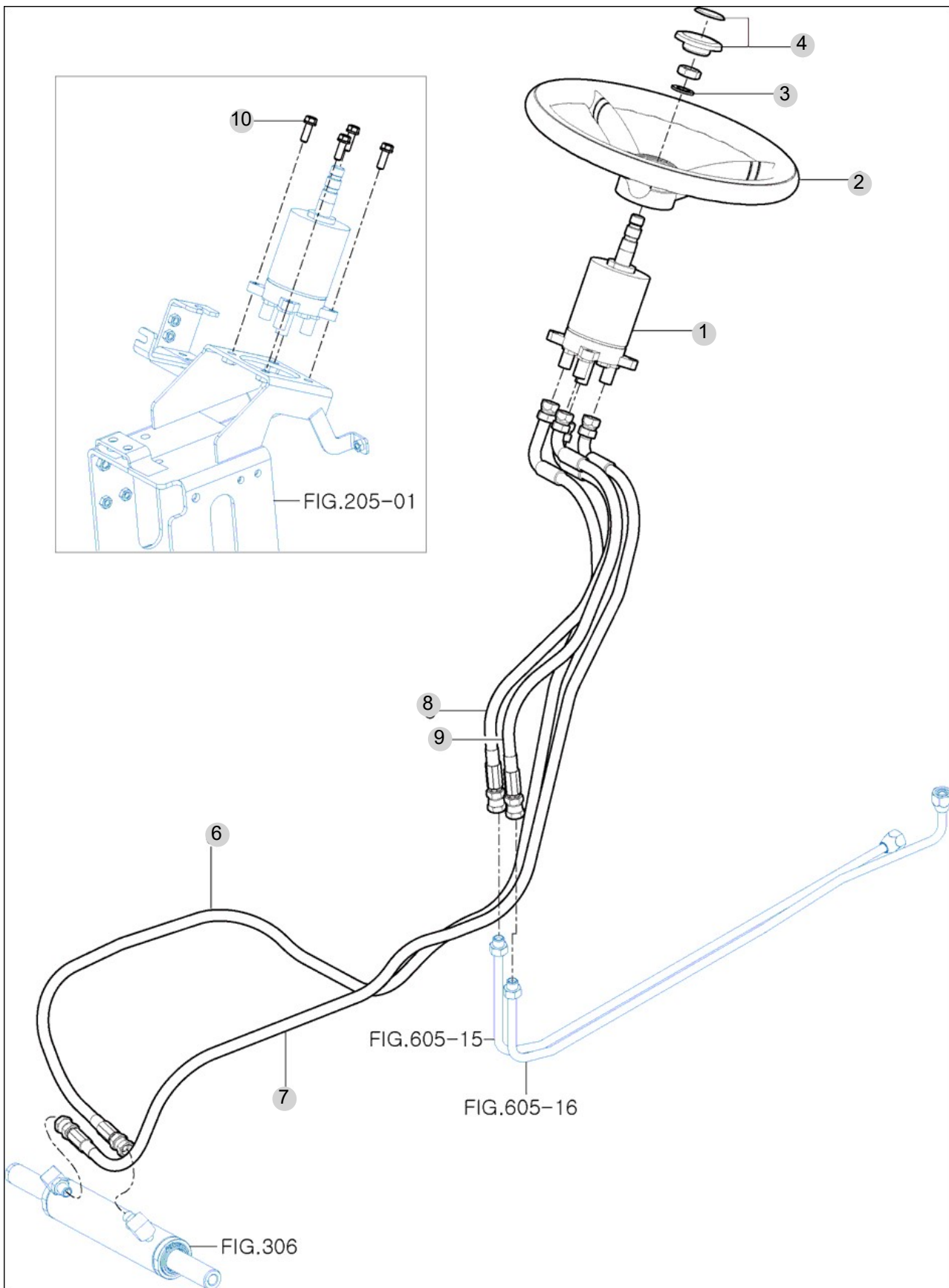
FIG 305

STEERING VALVE

년/월
Year/Month

2022-12

T194M



NOTE

FIG 305		STEERING VALVE						년/월 Year/Month
T194M								2022-12
KEY NO	PART NO	DESCRIPTION	SPEC	QTY	REPAIR	EFFECTIVE DATE	REMARKS	
305	1	11614071000		1				
305	2	11614012100		1				
305	3	V4011600160	M16	1				
305	4	11644012301		1				
305	4	11644012302		1				
305	6	11614073300		1				
305	7	11614073400		1				
305	8	11614073100		1				
305	9	11614073100		1				
305	10	V2173608025	M8X25	4				
NOTE								

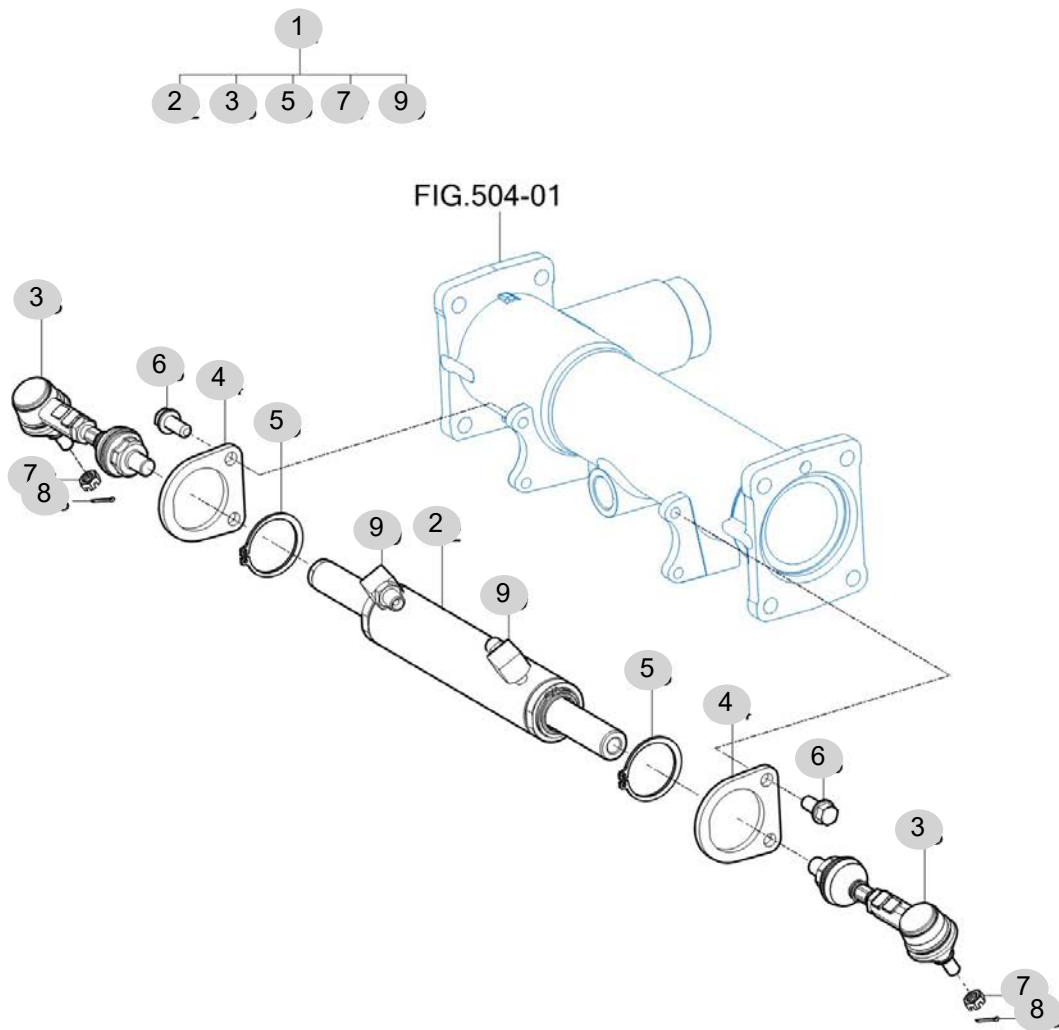
FIG 306

T194M

STEERING CYLINDER

년/월
Year/Month

2022-12



NOTE

FIG 306		STEERING CYLINDER						년/월	
								Year/Month	
T194M		2022-12							
KEY NO	PART NO	DESCRIPTION		SPEC	QTY	REPAIR	EFFECTIVE DATE	REMARKS	
306	1	11614050000	실린더 SUB ASSY			1			
306	2	11614051000	실린더 ASSY			1			
306	3	11614051300	타이로드 앤드 조합			2			
306	4	11614120020	실린더 스테이			2			
306	5	V7041400500	C형멈춤링(축용)			2			
306	6	V2173610020	소형육각볼트보통(S)		M10X20	4			
306	7	V3222600100	홍볼이너트			2			
306	8	V5001925020	핀			2			
306	9	80105030270	유니온(PF1/4,PT1/4)			2			
NOTE									

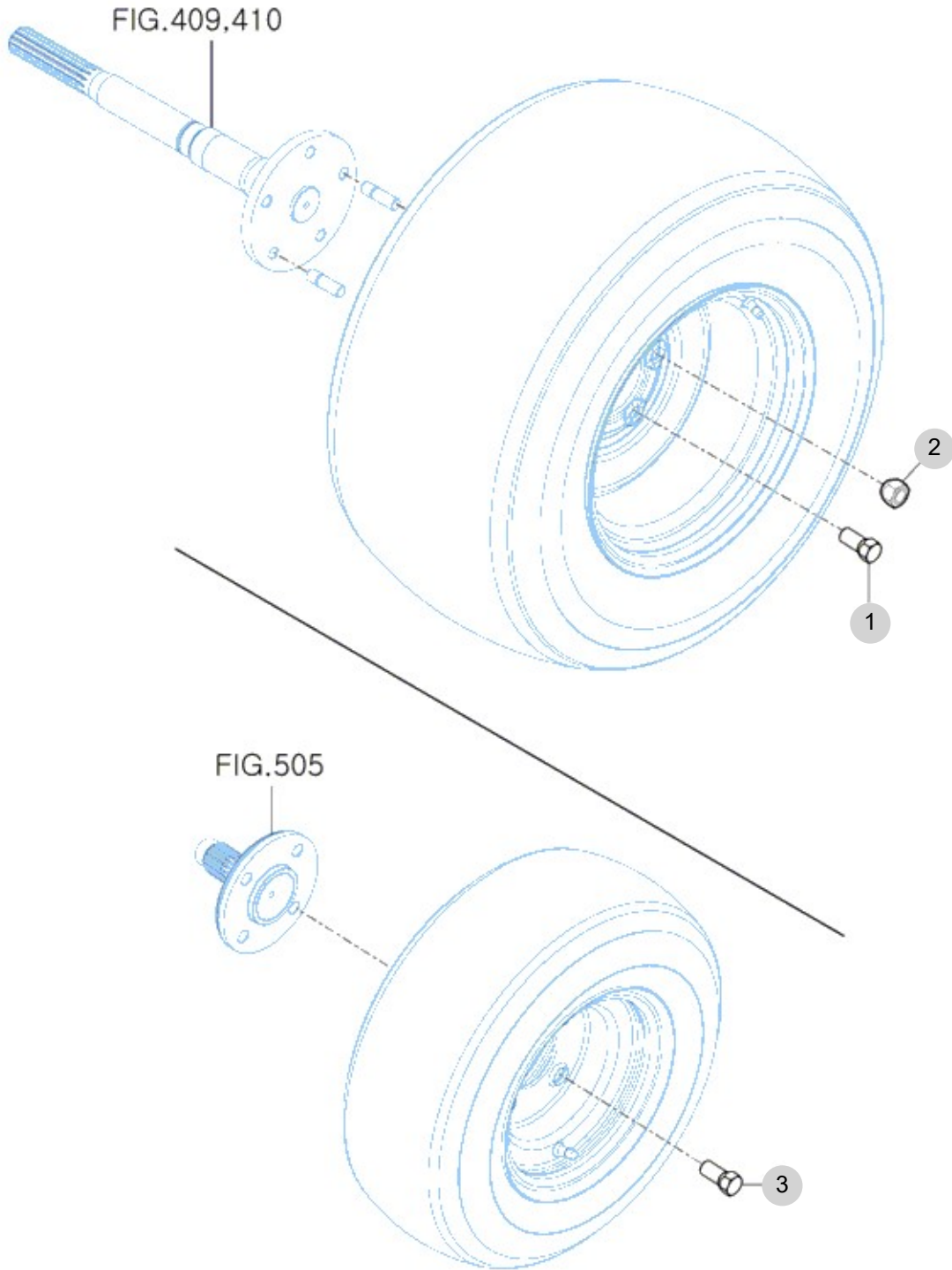
FIG 307

T194M

TIRE

년/월
Year/Month

2022-12



NOTE

4. 트랜스미션 PART NO. T4

FIG 401 INPUT SHAFT	71
FIG 402 HST	73
FIG 403 PTO CLUTCH SUB& RANGE GEAR SUB	75
FIG 404 SPIRAL BEVEL PINION & 4WD SHAFT SUB	77
FIG 405 INPUT METAL	79
FIG 406 P T O COUNT SHAFT SUB & REAR P.T.O SUB	81
FIG 407 MID P T O IDLE GEAR & MID P T O SUB	83
FIG 408 DIFF LOCK	85
FIG 409 REAR TRANSMISSION CASE	87
FIG 410 REAR AXLE HOUSING	89
FIG 411 RANGE SHIFT LEVER	91
FIG 412 P T O CHANGE LEVER	93
FIG 413 GEAR PUMP & PUMP IDLE GEAR SUB	95

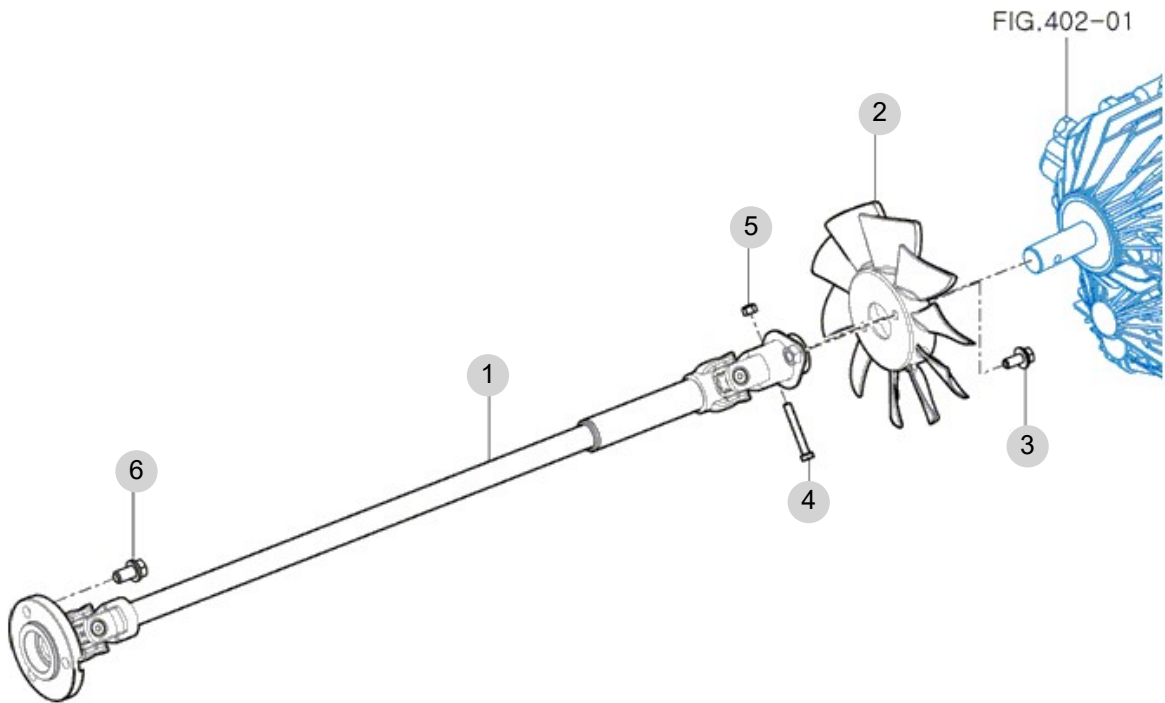
FIG 401

T194M

INPUT SHAFT

년/월
Year/Month

2022-12



NOTE

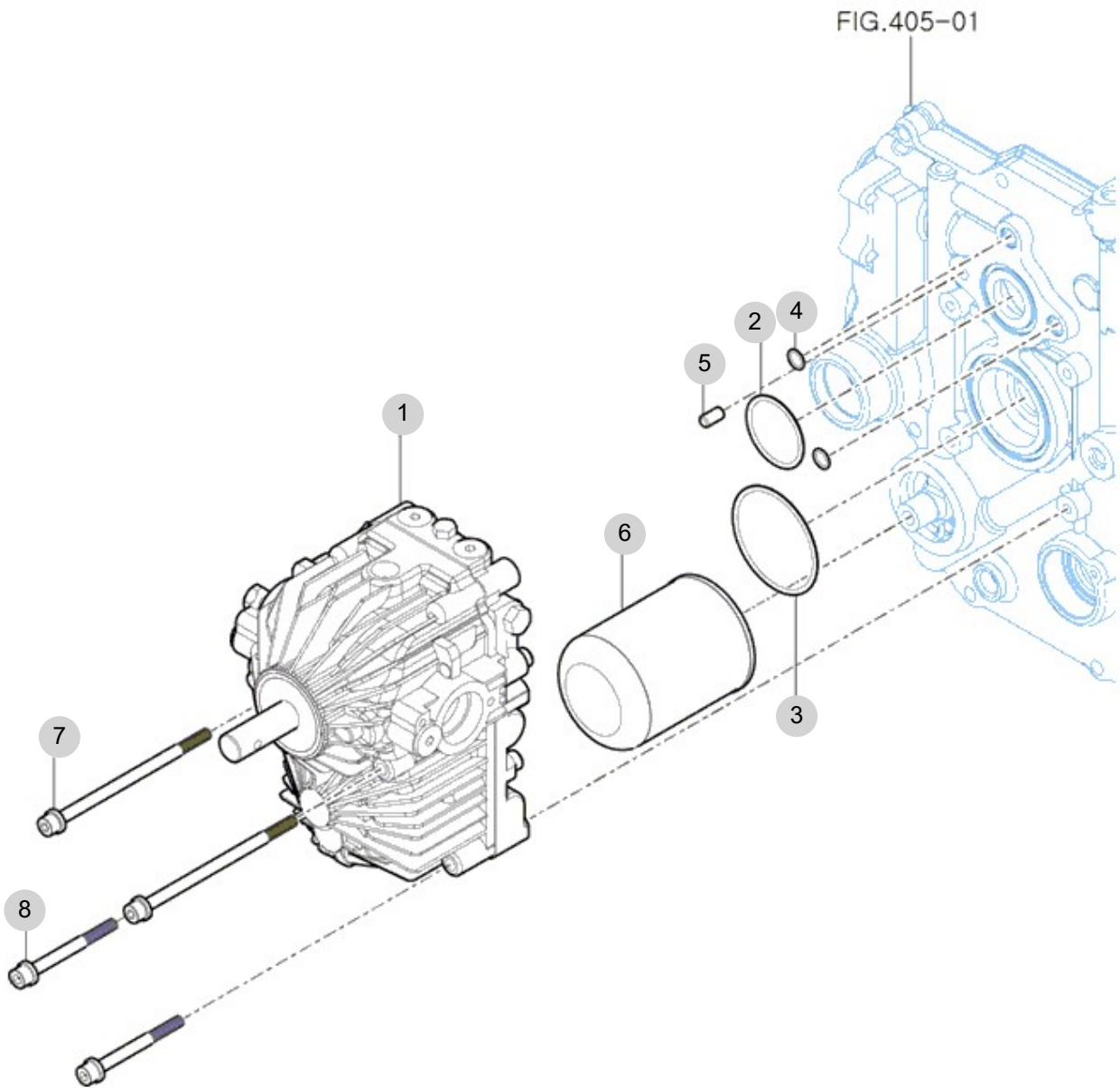
FIG 402

T194M

HST

년/월
Year/Month

2022-12



NOTE

FIG 402 T194M		HST					년/월 Year/Month	
							2022-12	
KEY NO	PART NO		DESCRIPTION	SPEC	QTY	REPAIR	EFFECTIVE DATE	REMARKS
402	1	11612302000	HST ASSY(23cc)		1			
402	2	V7211031045	O링(G)		1			
402	3	V7211131070	O링(G)		1			
402	4	V7201024010	O링(P)		2			
402	5	V5201010020	평행핀(A)		1			
402	6	11102303100	FILTER COMP , HST		1			
402	7	V2205408140	육각홀볼트	M8X140	2			
402	8	V2205408075	육각홀볼트	M8X75	2			
NOTE								

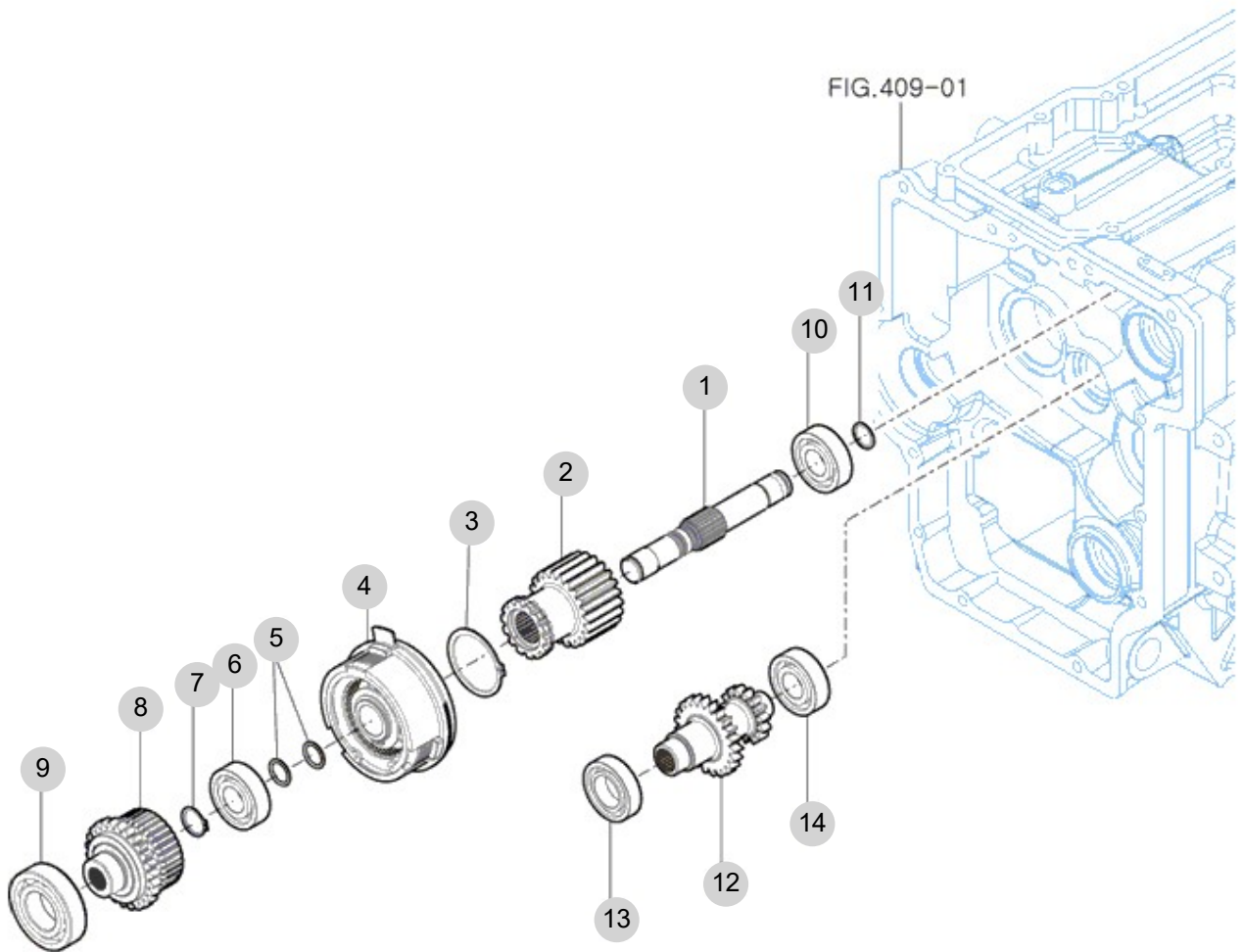
FIG 403

T194M

PTO CLUTCH SUB& RANGE GEAR SUB

년/월
Year/Month

2022-12



NOTE

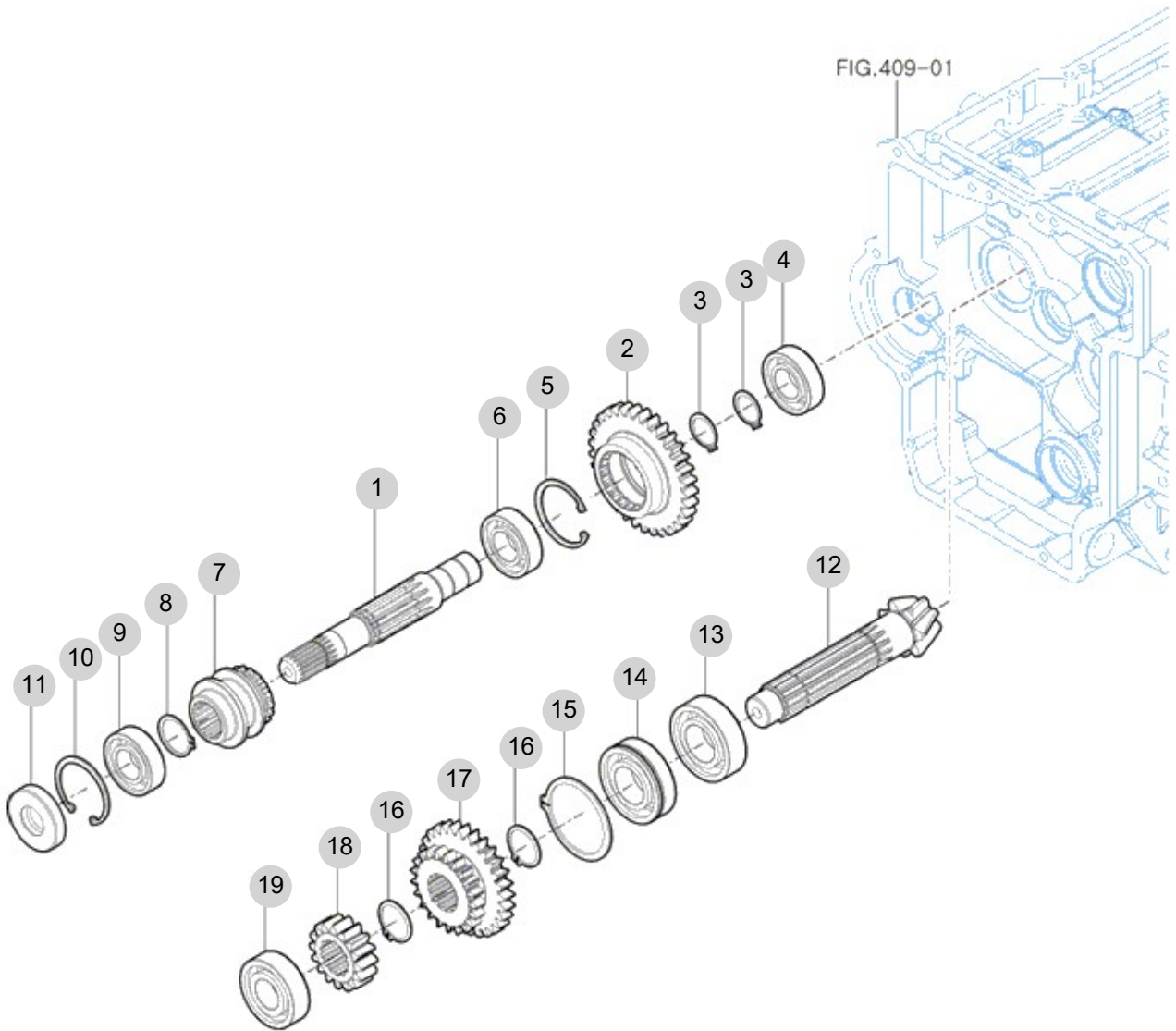
FIG 404

SPIRAL BEVEL PINION & 4WD SHAFT SUB

년/월
Year/Month

2022-12

T194M



NOTE

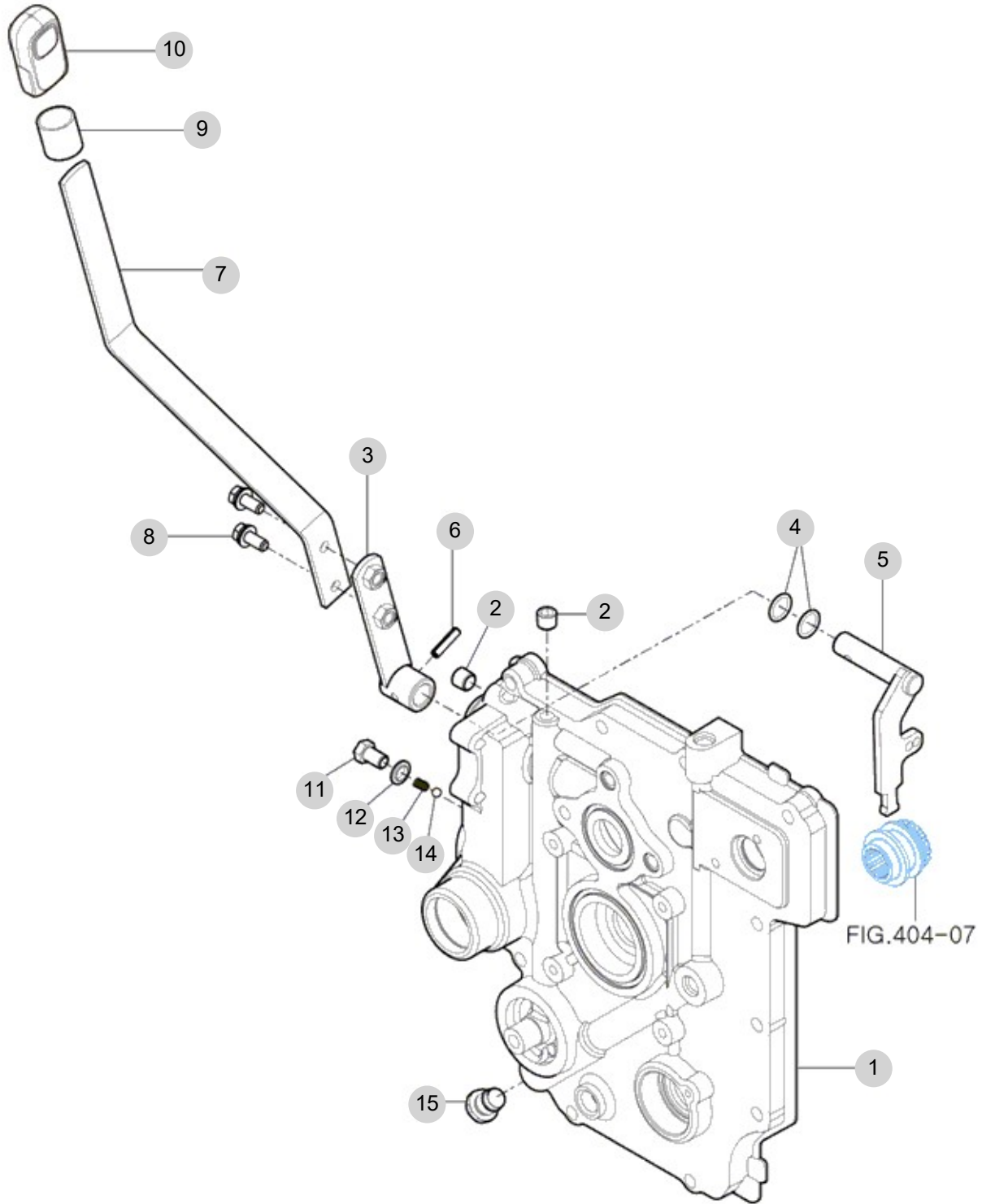
FIG 405

T194M

INPUT METAL

년/월
Year/Month

2022-12



NOTE

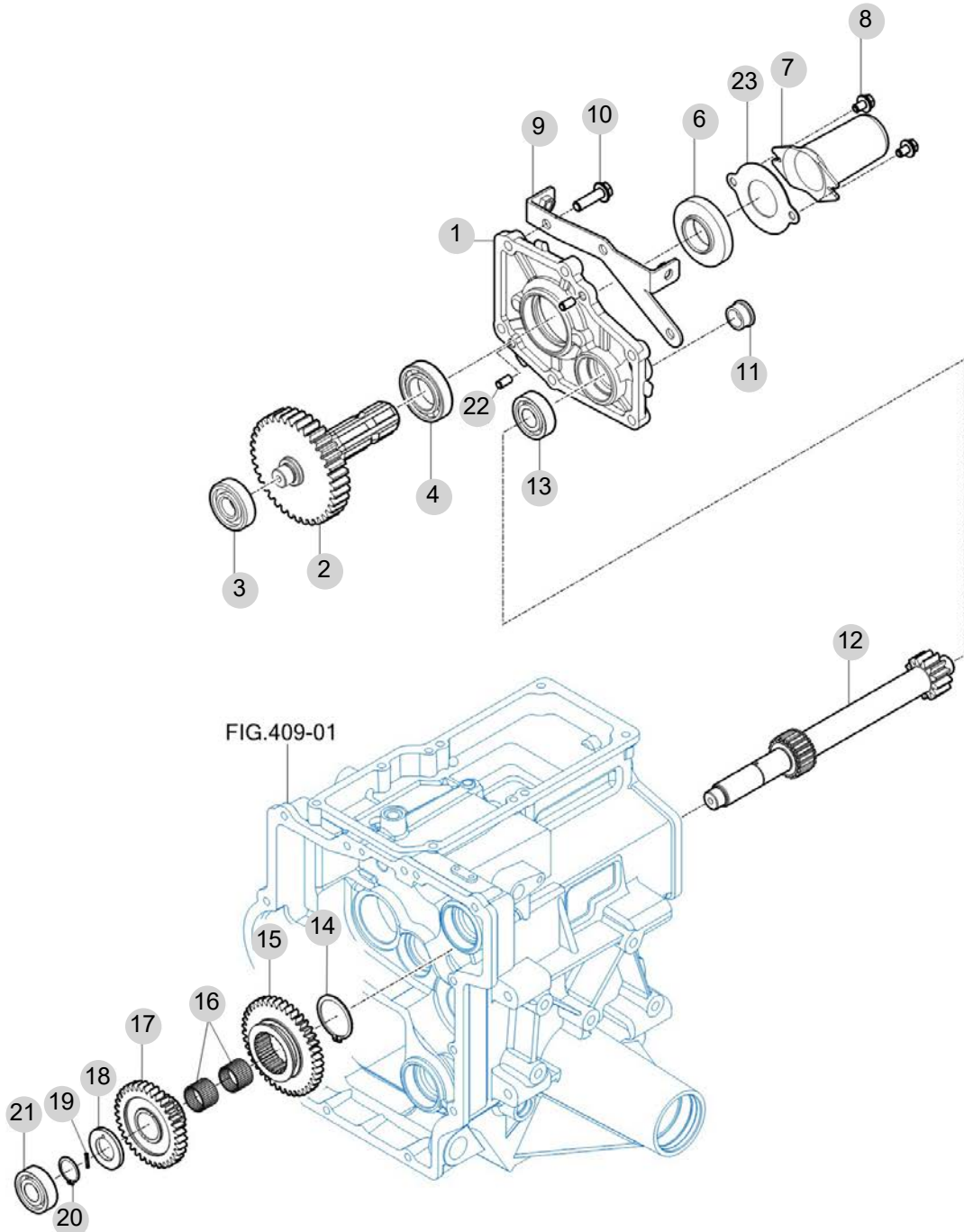
FIG 406

T194M

P T O COUNT SHAFT SUB & REAR P.T.O SUB

년/월
Year/Month

2022-12



NOTE

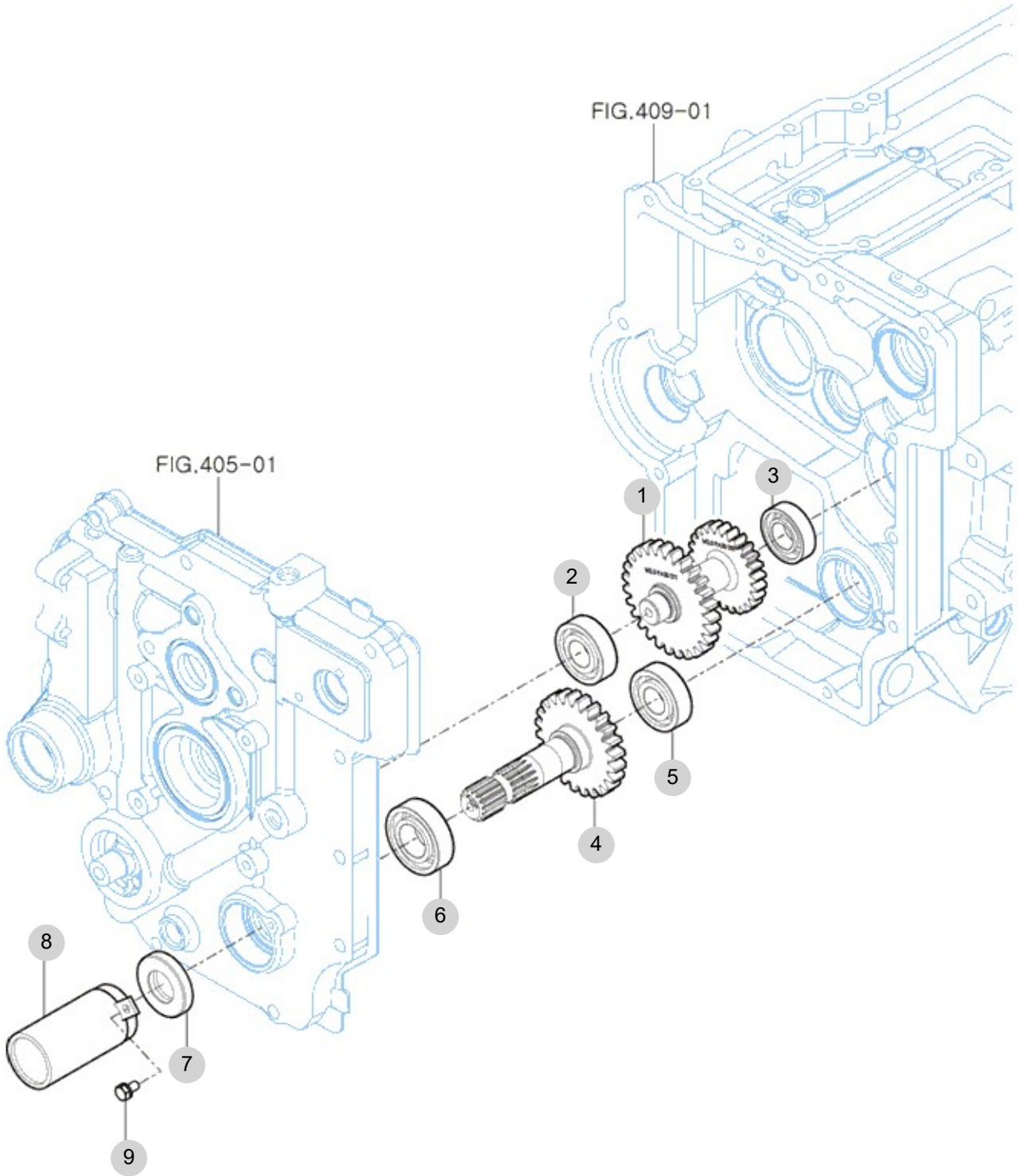
FIG 407

T194M

MID P T O IDLE GEAR & MID P T O SUB

년/월
Year/Month

2022-12



NOTE

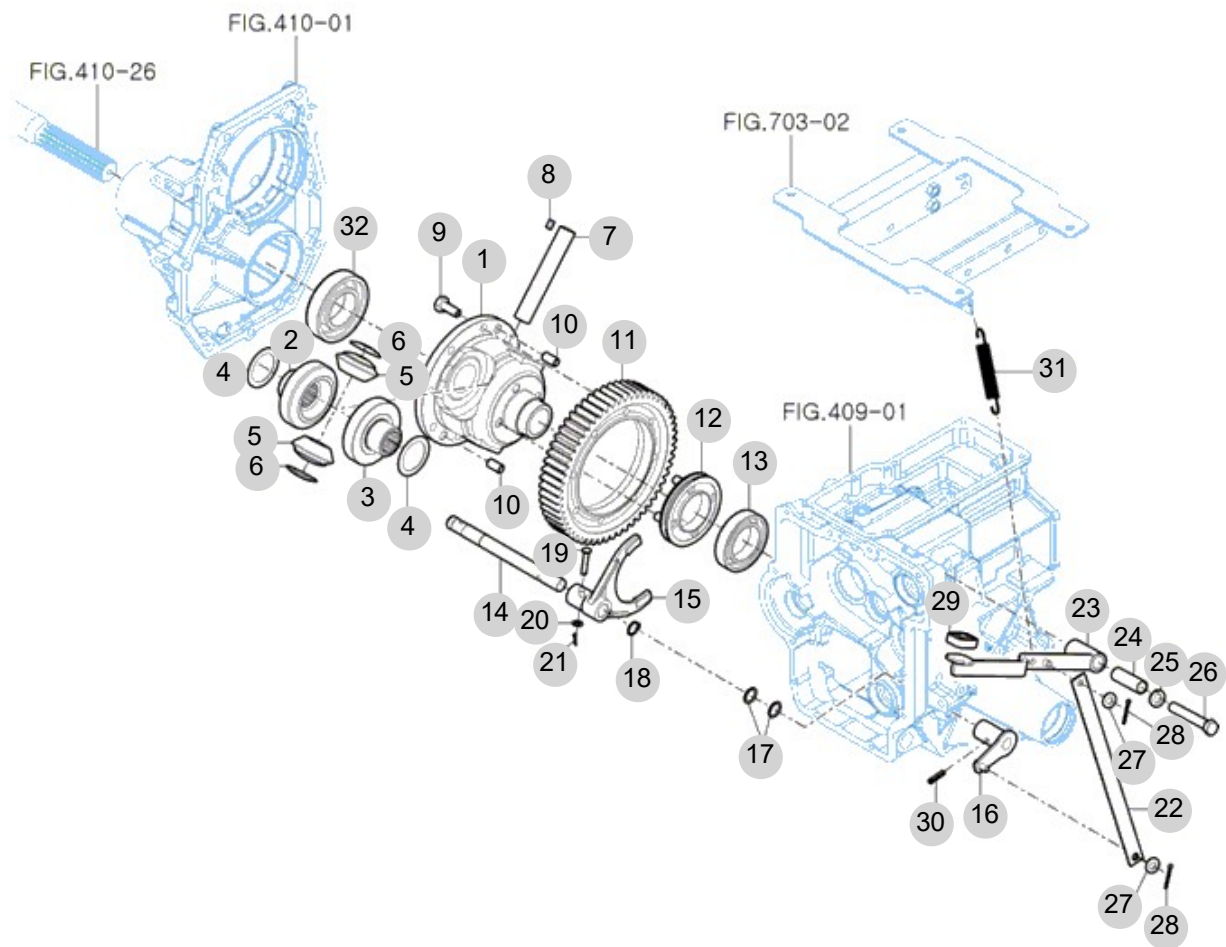
FIG 408

T194M

DIFF LOCK

년/월
Year/Month

2022-12



NOTE

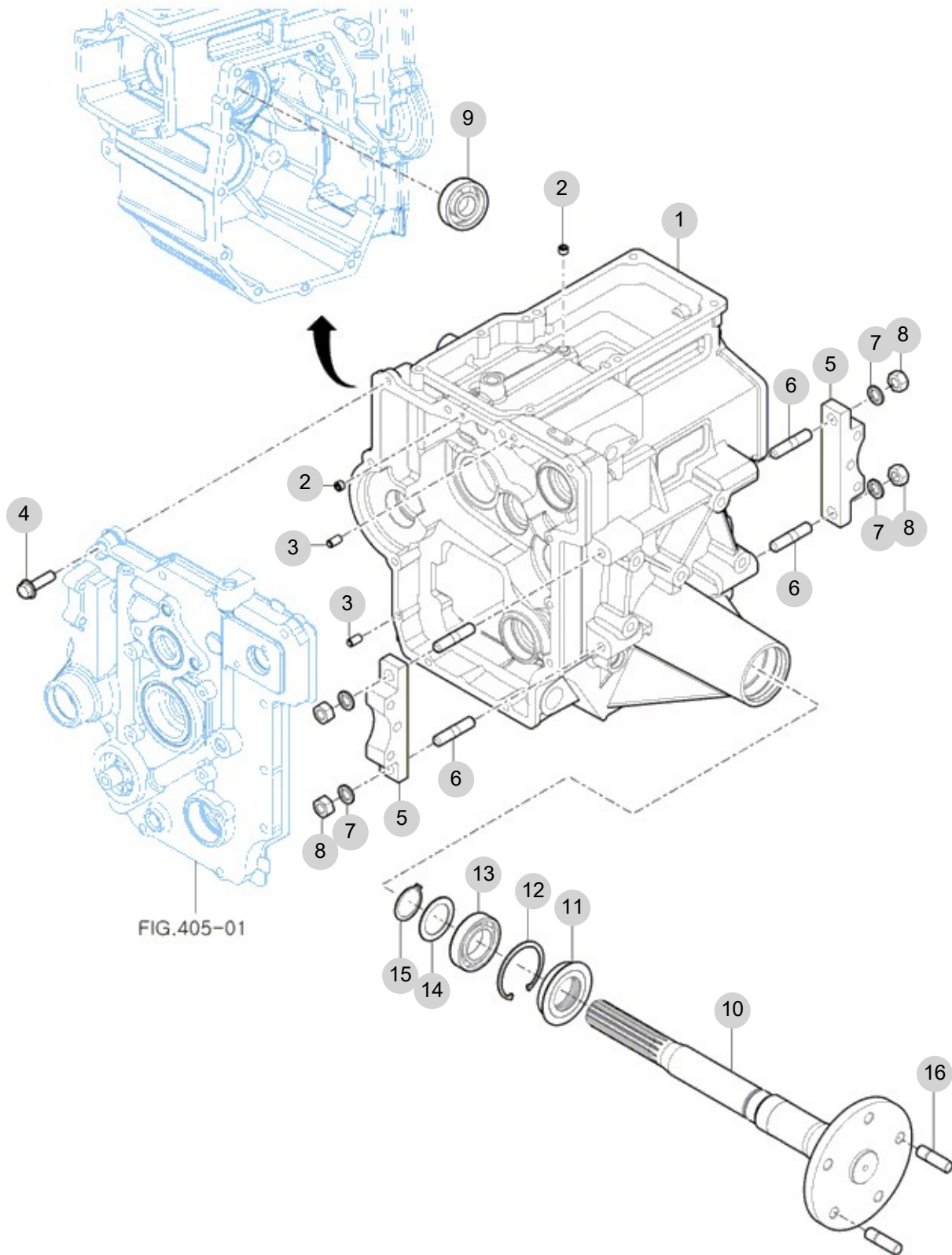
FIG 409

REAR TRANSMISSION CASE

년/월
Year/Month

2022-12

T194M



NOTE

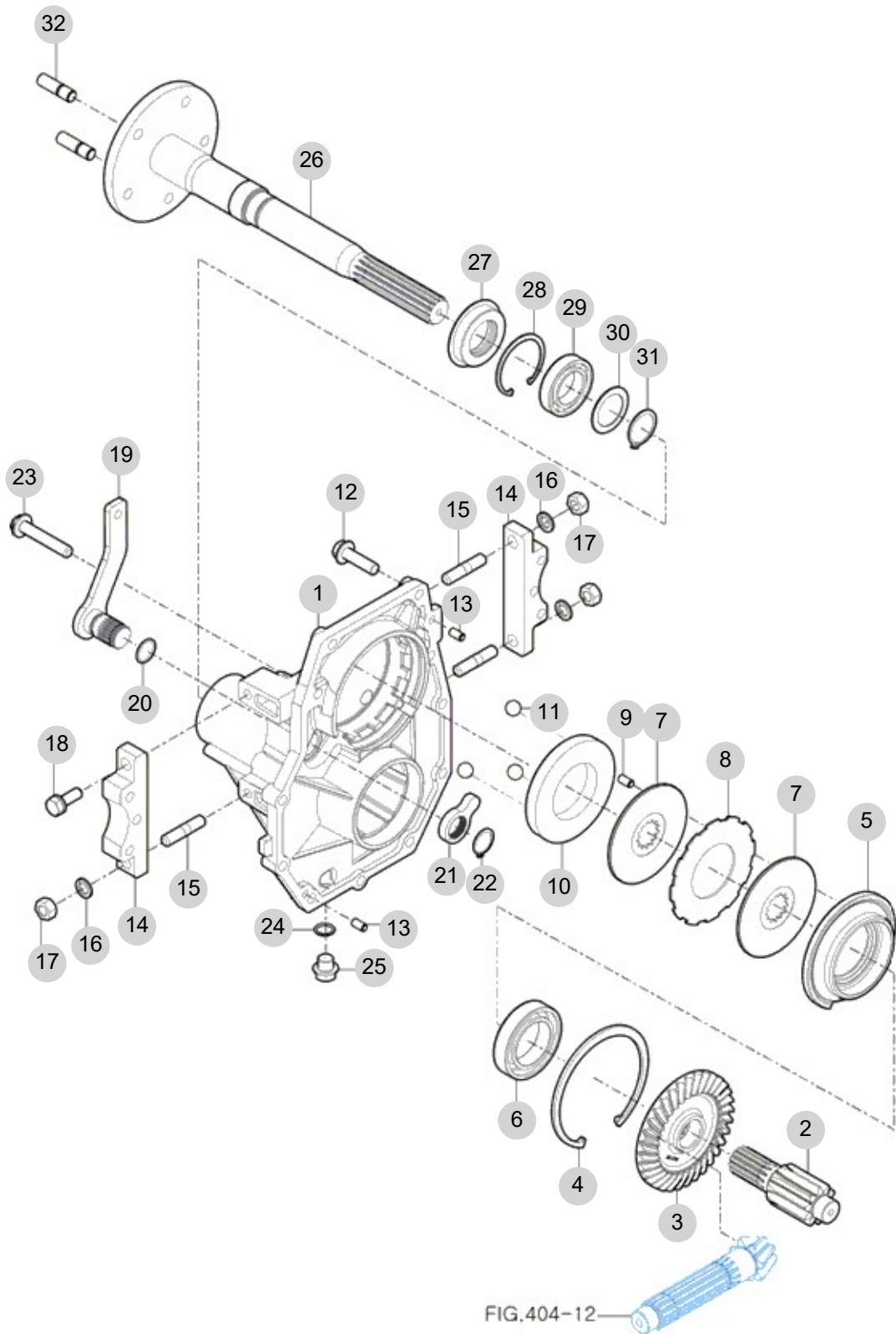
FIG 410

REAR AXLE HOUSING

년/월
Year/Month

2022-12

T194M



NOTE

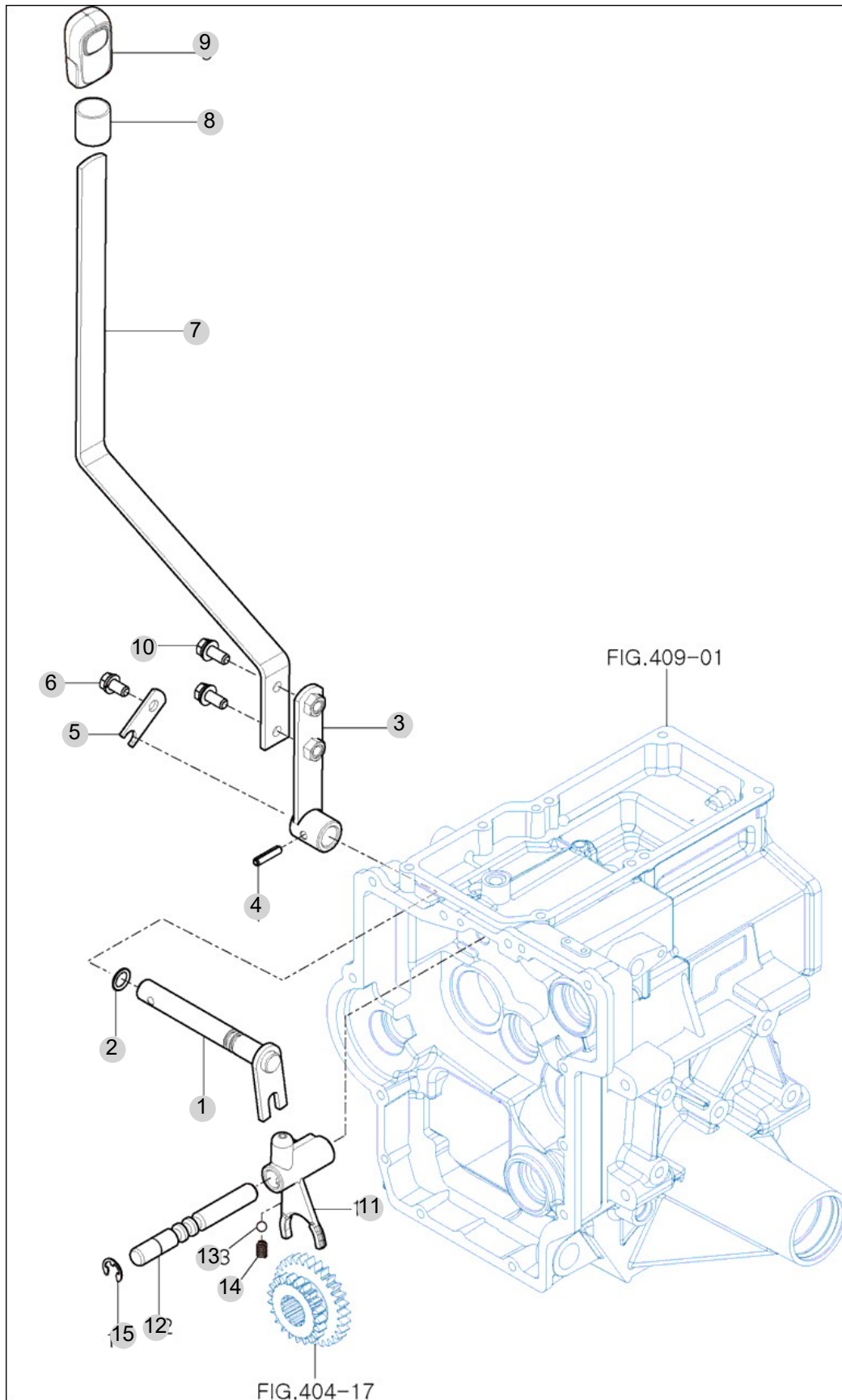
FIG 411

T194M

RANGE SHIFT LEVER

년/월
Year/Month

2022-12



NOTE

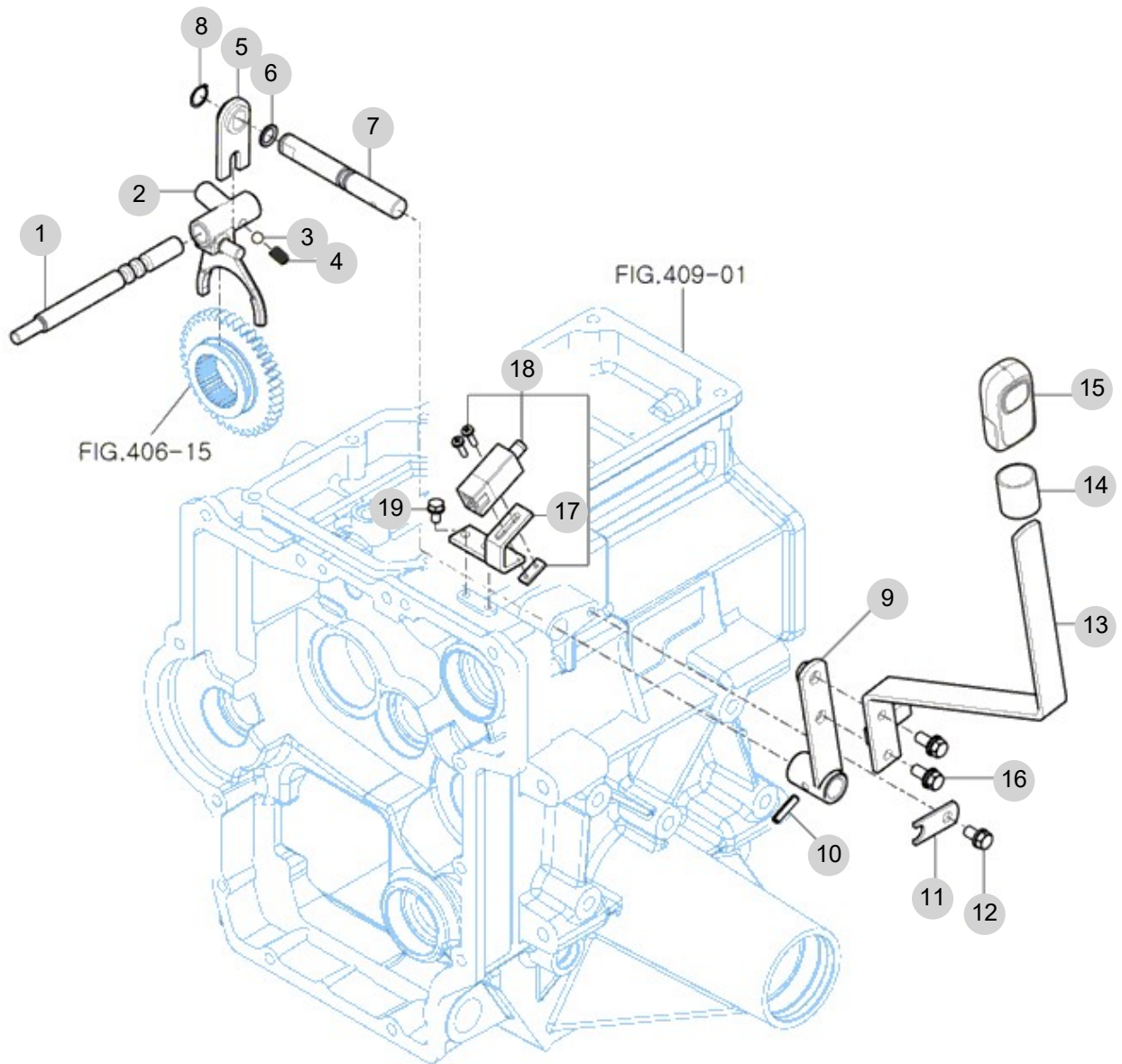
FIG 412

T194M

P T O CHANGE LEVER

년/월
Year/Month

2022-12



NOTE

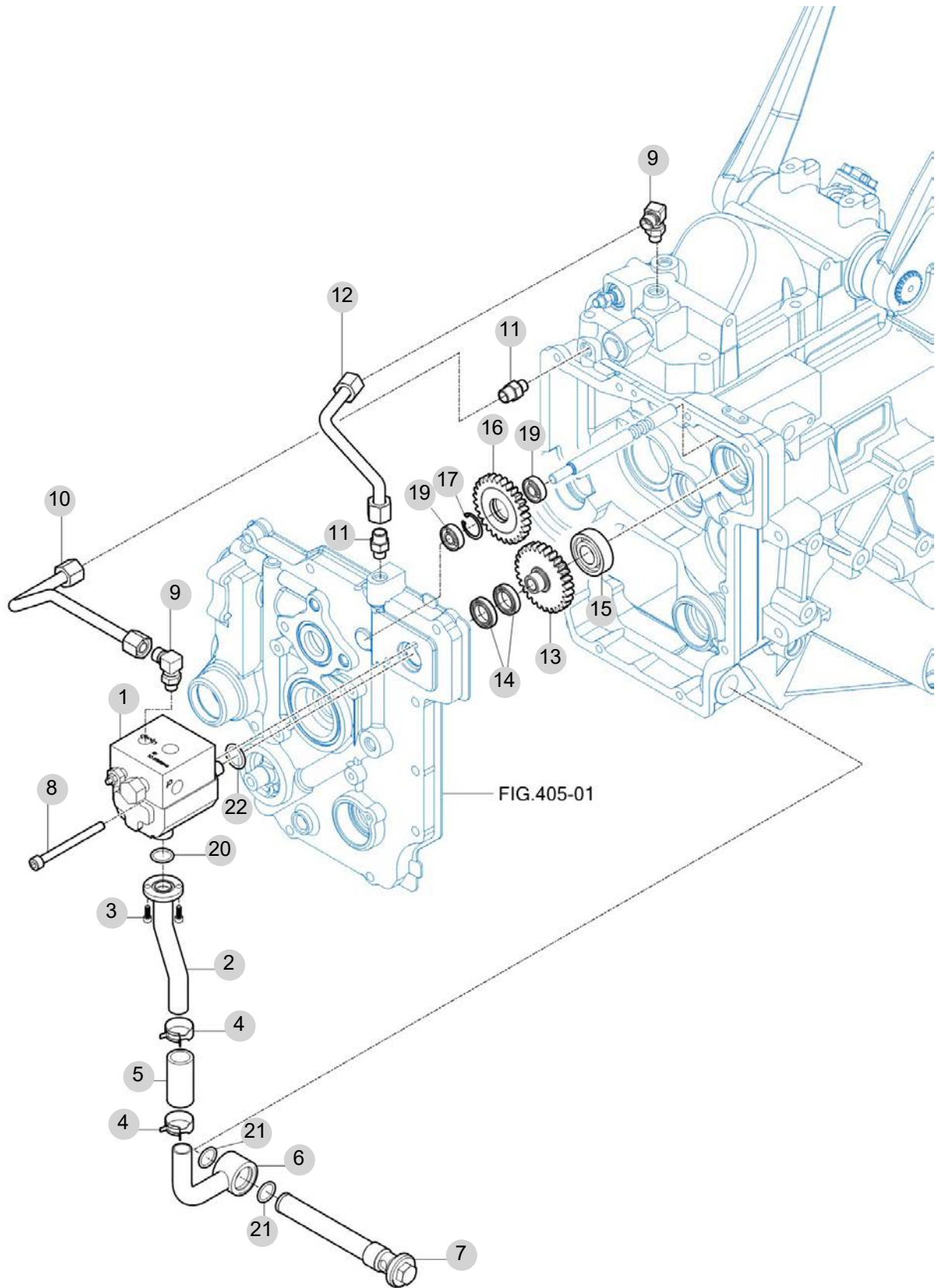
FIG 413

T194M

GEAR PUMP & PUMP IDLE GEAR SUB

년/월
Year/Month

2022-12



NOTE

5. 프런트 액슬 PART NO. T5

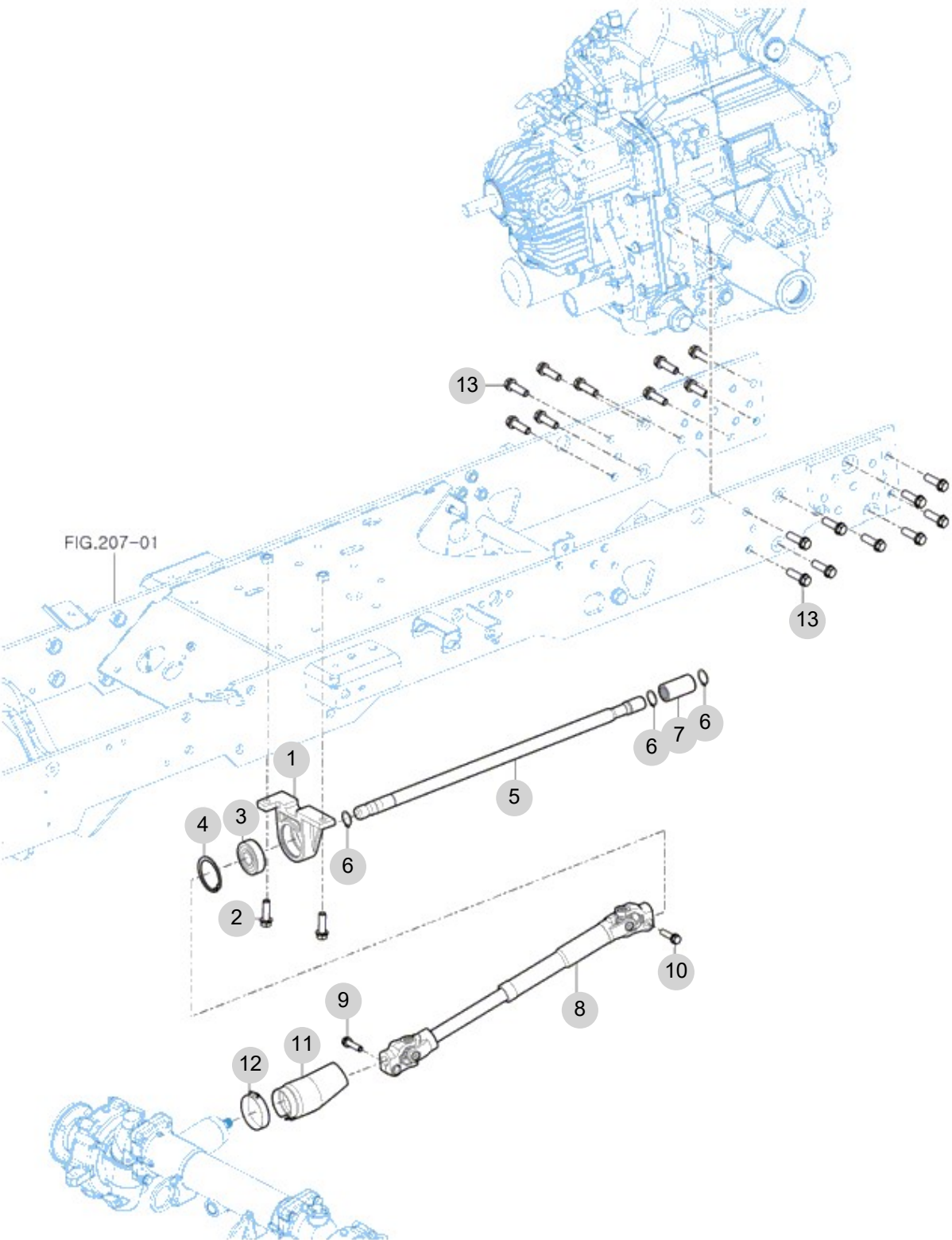
FIG 501 FRONT DRIVE SHAFT	98
FIG 502 FRONT DIFFERENTIAL GEAR	100
FIG 503 FRONT AXLE HOUSING	102
FIG 504 FRONT GEAR CASE (1)	104
FIG 505 FRONT GEAR CASE (2)	106

FIG 501

FRONT DRIVE SHAFT

년/월
Year/Month

2022-12



NOTE

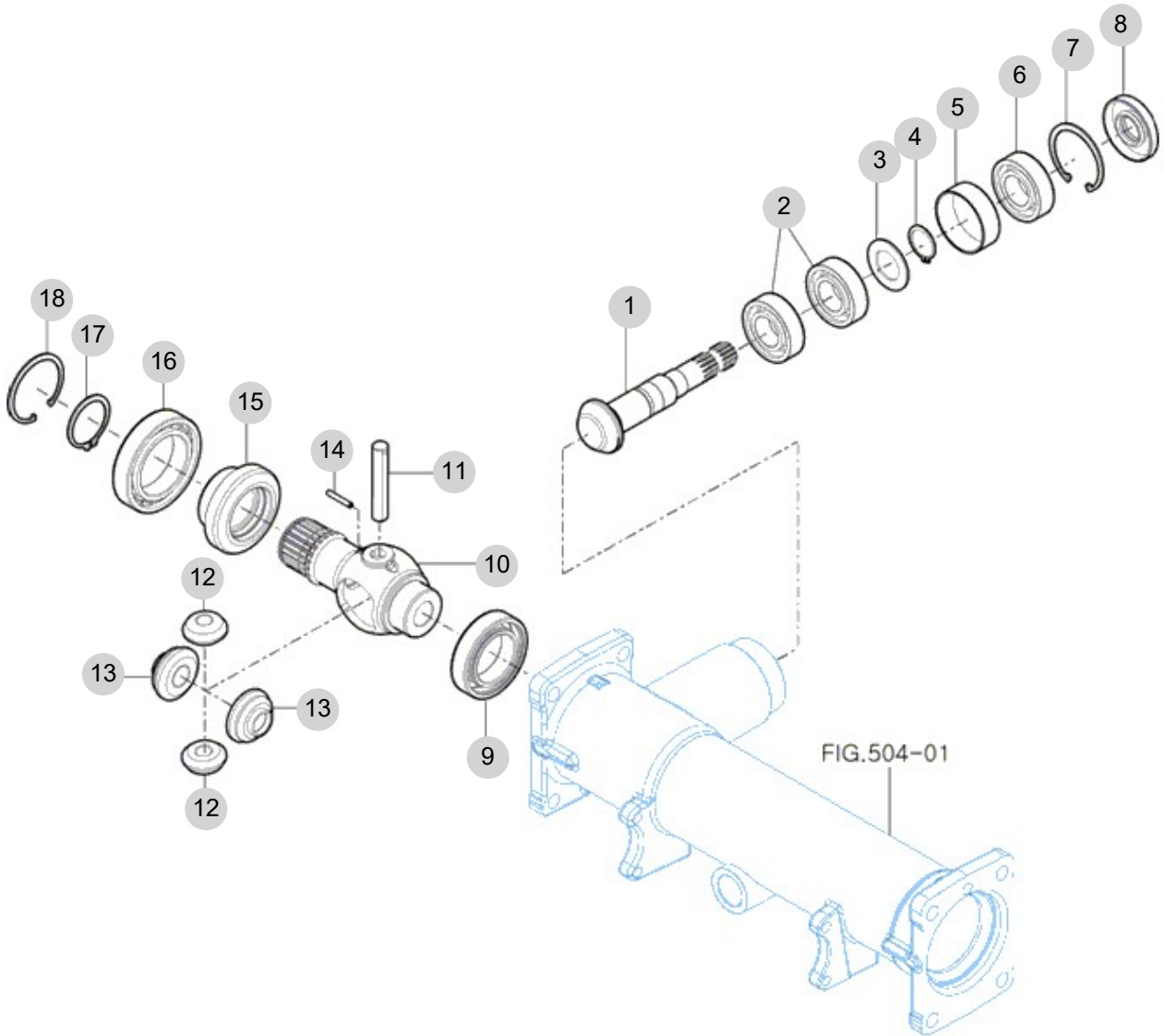
FIG 502

FRONT DIFFERENTIAL GEAR

년/월
Year/Month

2022-12

T194M



NOTE

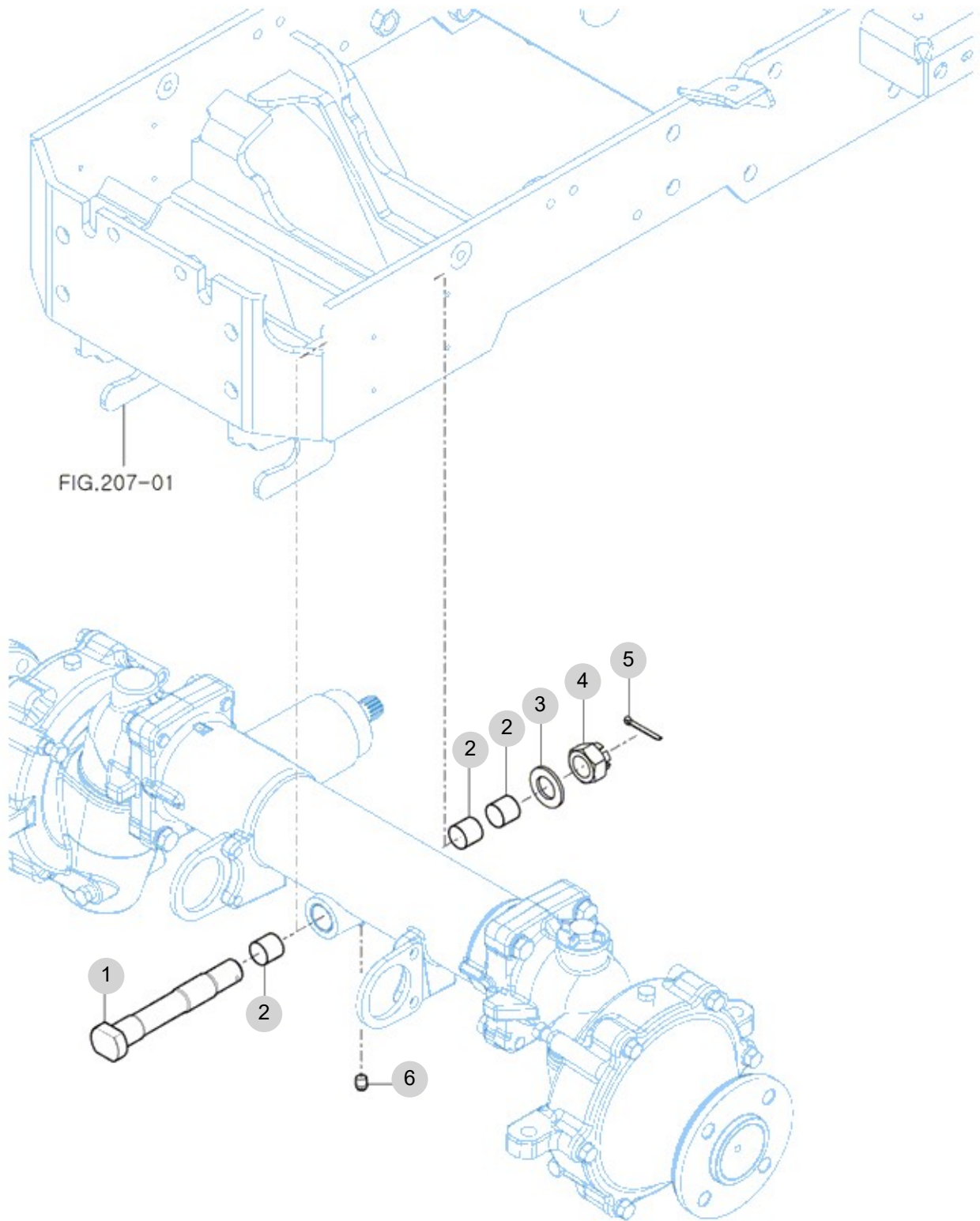
FIG 503

FRONT AXLE HOUSING

년/월
Year/Month

T194M

2022-12



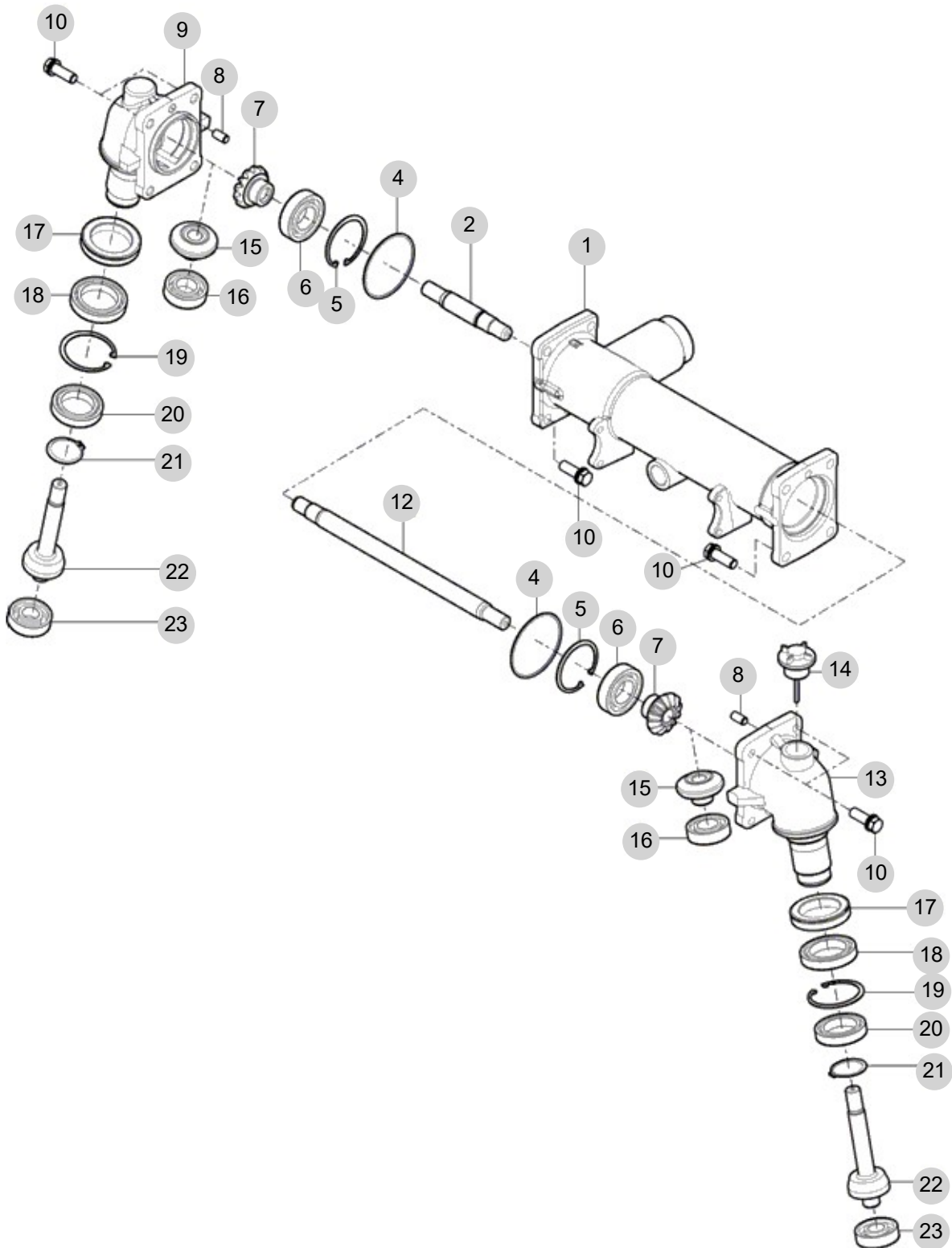
NOTE

FIG 504

FRONT GEAR CASE (1)

년/월
Year/Month

2022-12



NOTE

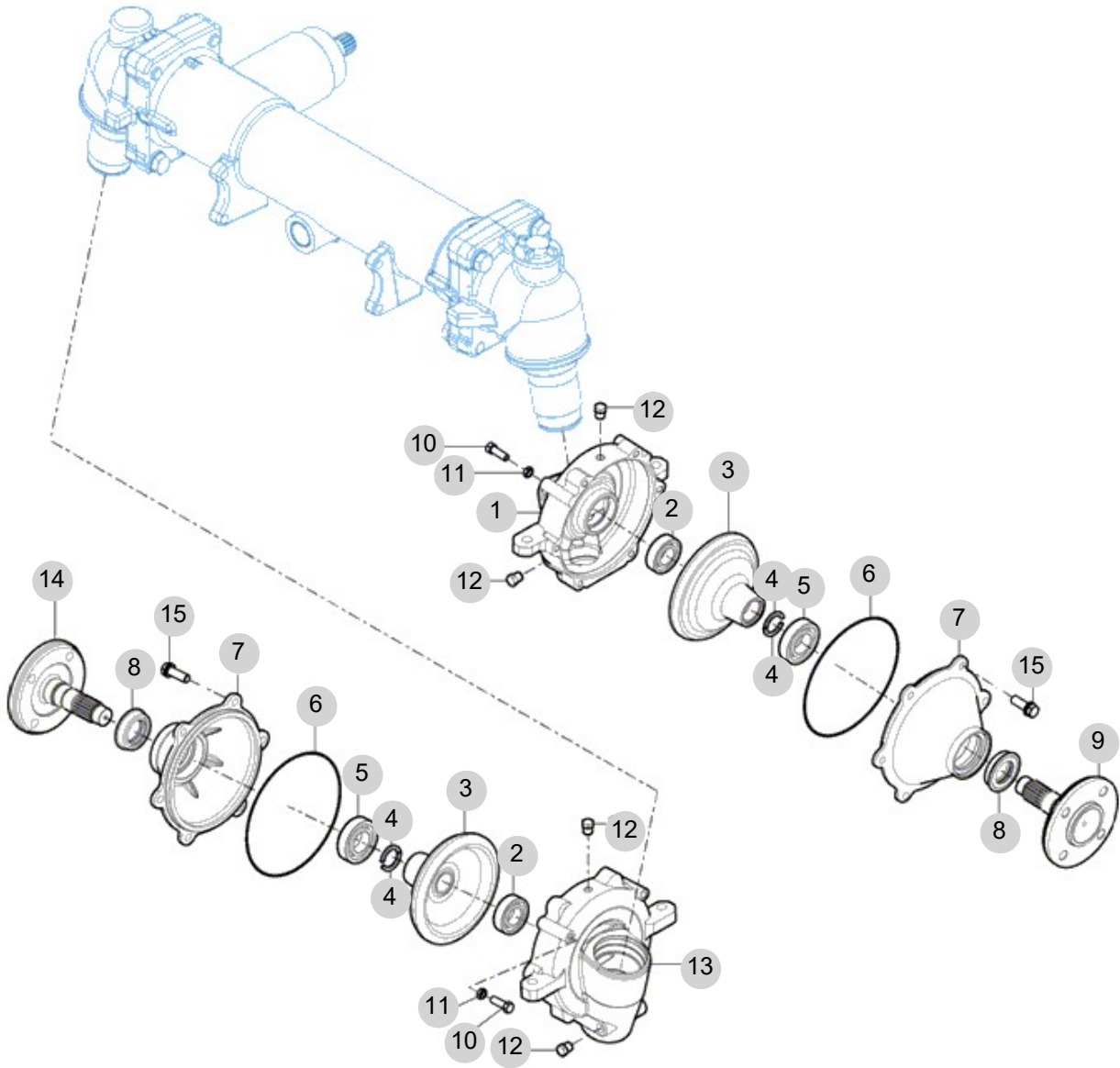
FIG 505

T194M

FRONT GEAR CASE (2)

년/월
Year/Month

2022-12



NOTE

6. 유압/3점링크 PART NO. T6

FIG 601 CYLINDER CASE	109
FIG 602 LIFT ARM	111
FIG 603 FLOW CONTROL VALVE	113
FIG 604 MAIN CONTROL VALVE	115
FIG 605 HYDRAULIC SUB	117
FIG 607 MID MOWER	119
FIG 611 GEAR BOX	121
FIG 612 BLADE PULLEY	123
FIG 613 TENSION PULLEY	125
FIG 614 COVER, CHUTE	127
FIG 615 WHEEL	129
FIG 616 MOUNTING	131

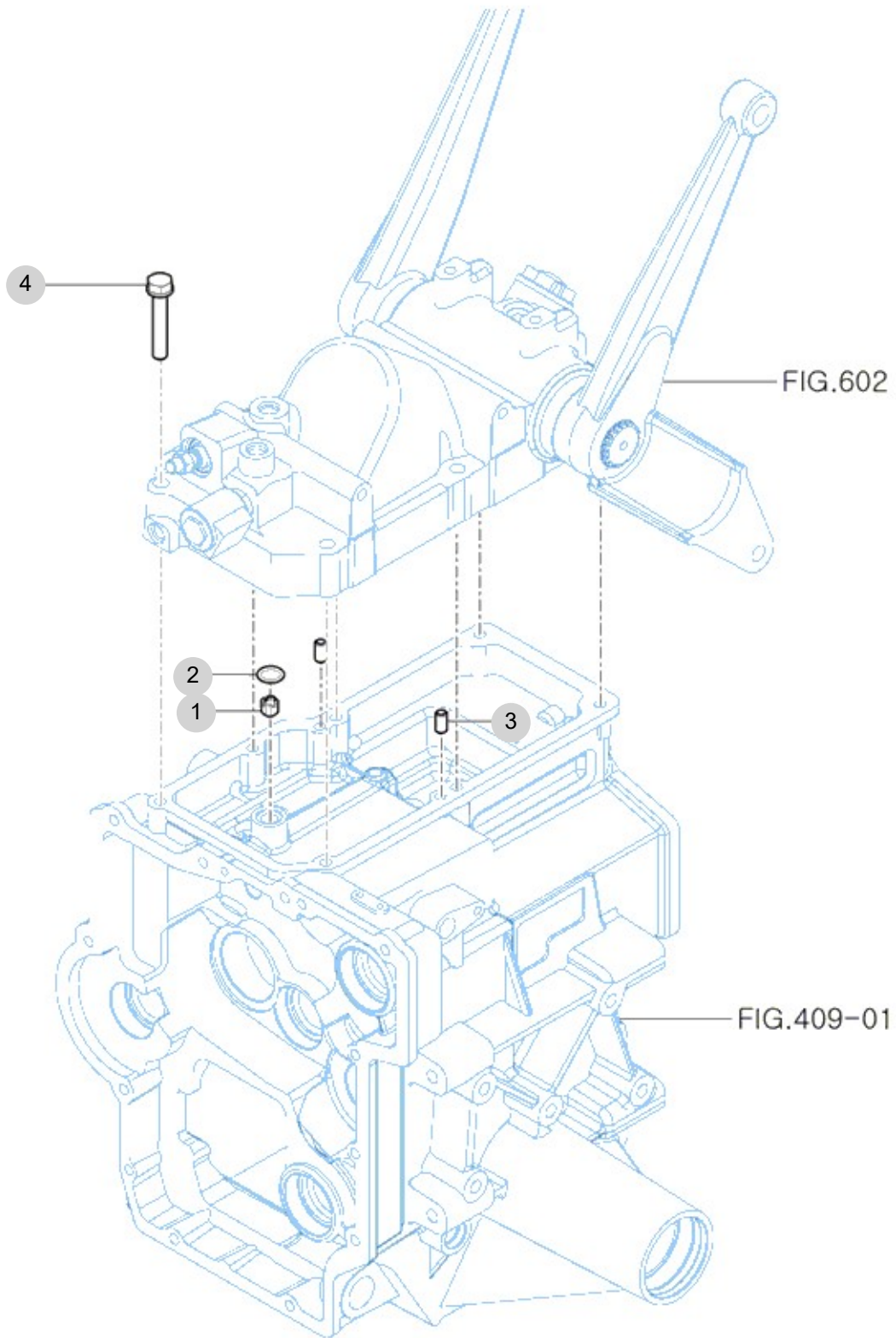
FIG 601

T194M

CYLINDER CASE

년/월
Year/Month

2022-12



NOTE

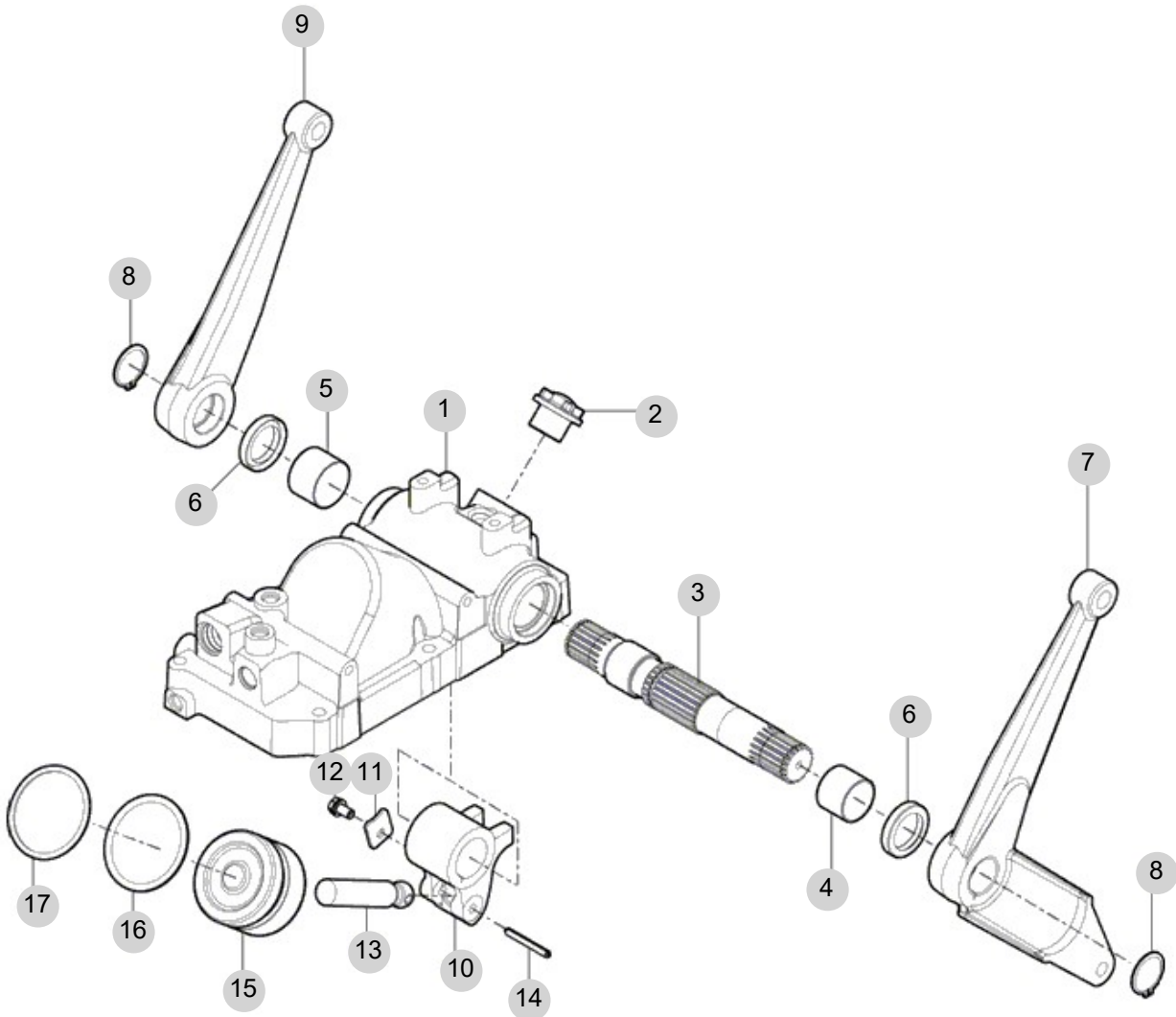
FIG 602

T194M

LIFT ARM

년/월
Year/Month

2022-12



NOTE

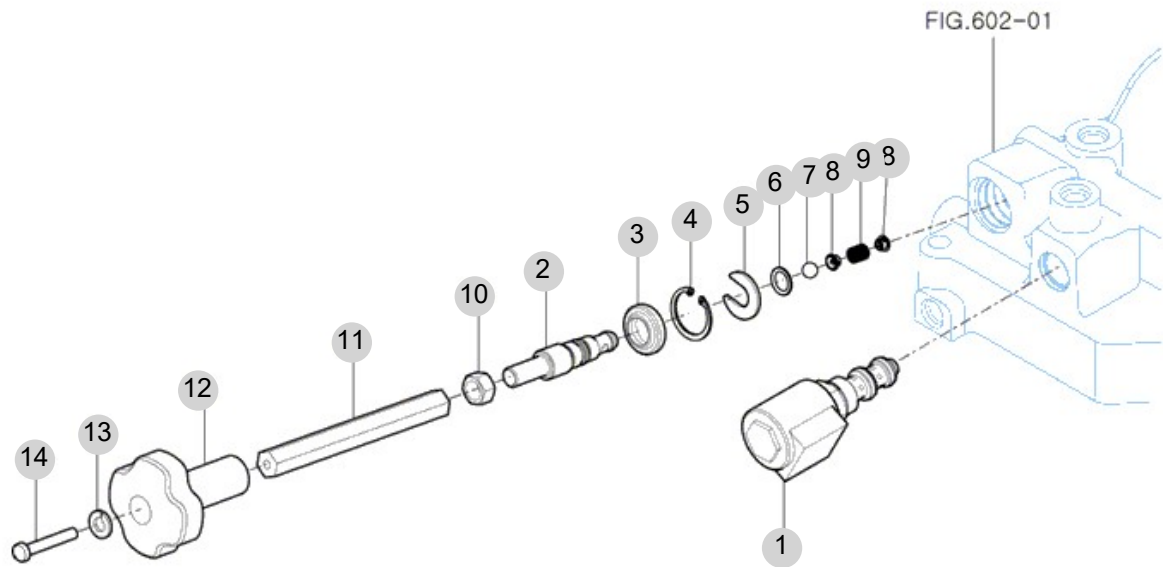
FIG 603

T194M

FLOW CONTROL VALVE

년/월
Year/Month

2022-12



NOTE

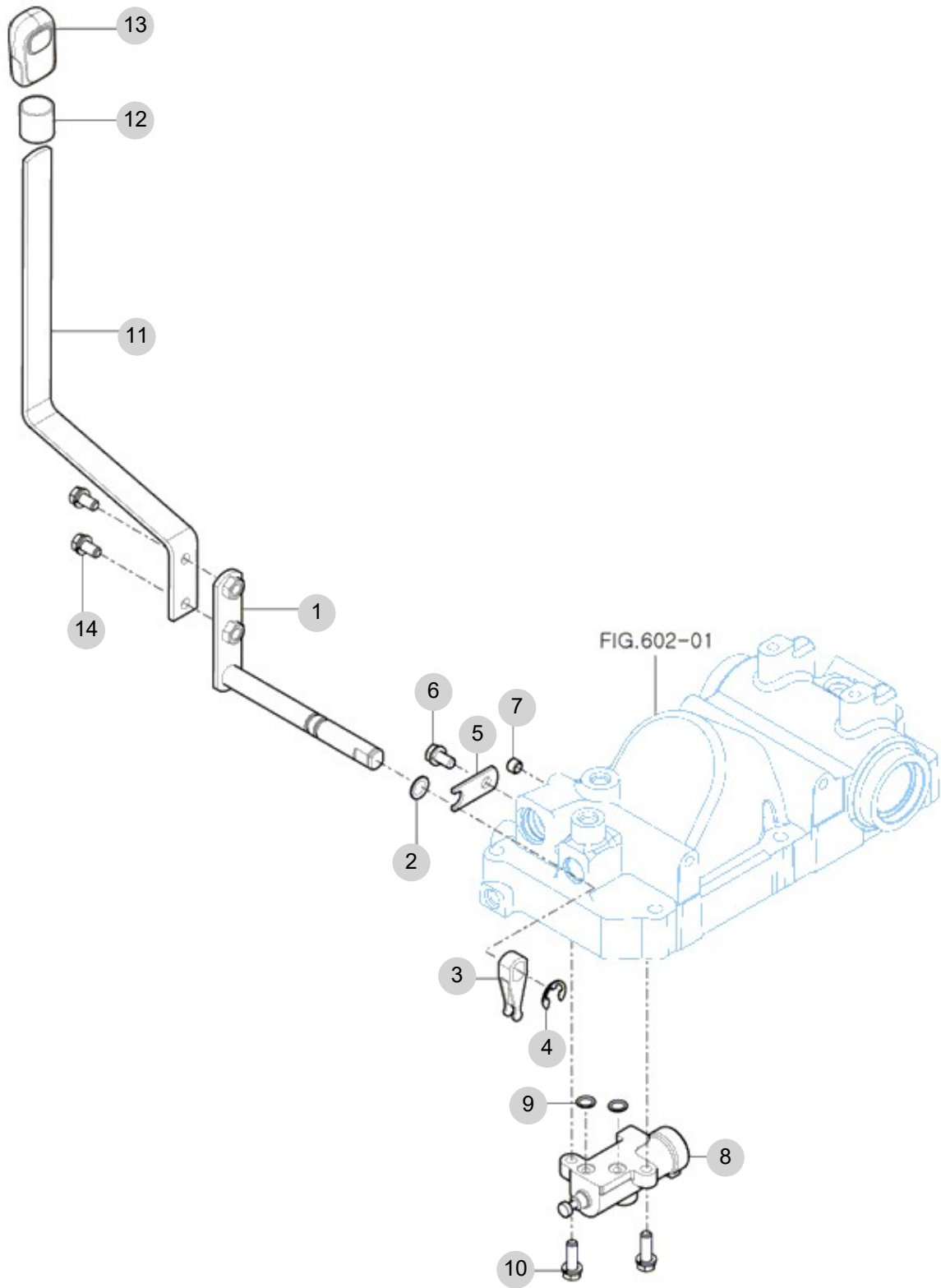
FIG 604

T194M

MAIN CONTROL VALVE

년/월
Year/Month

2022-12



NOTE

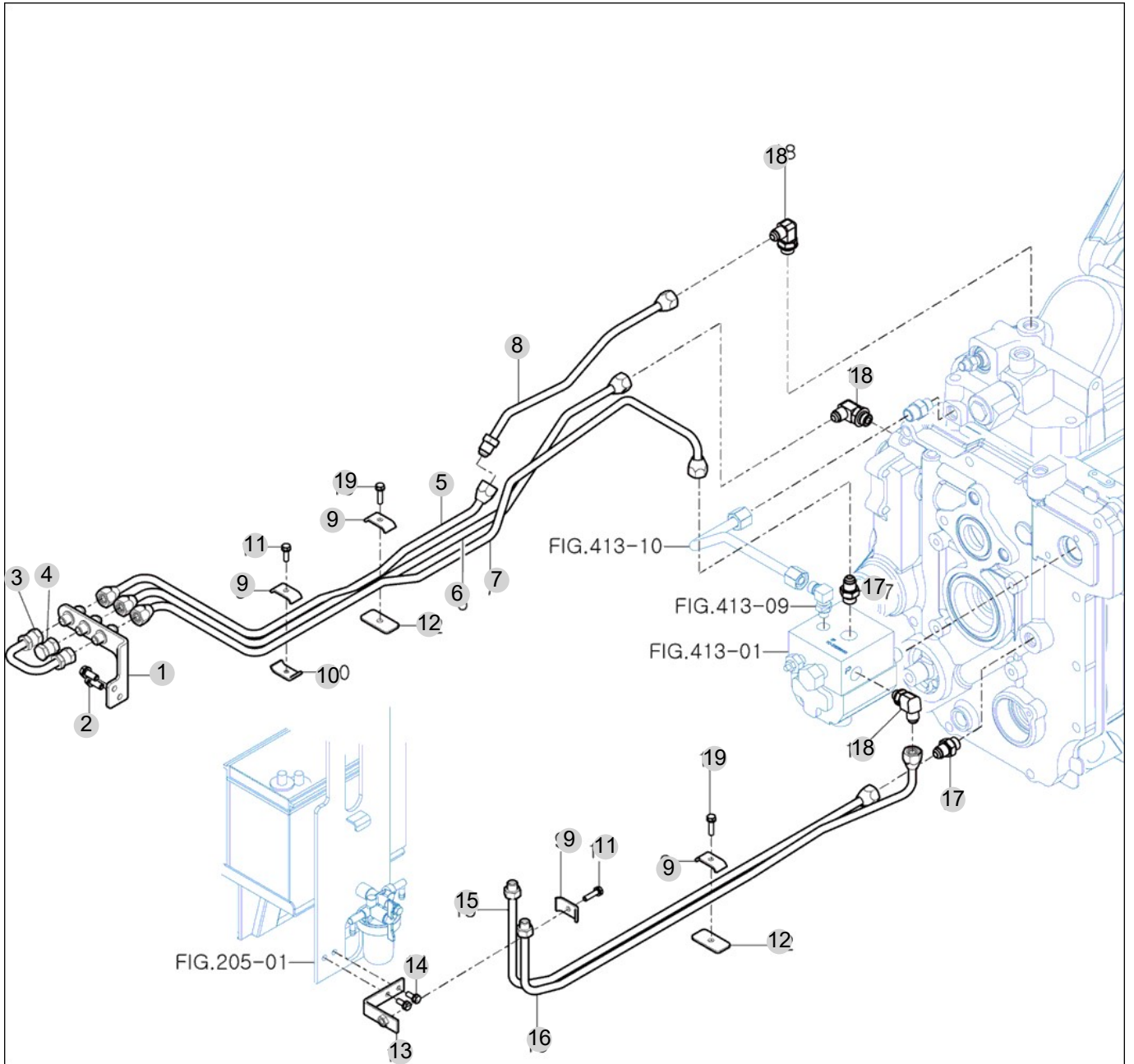
FIG 605

HYDRAULIC SUB

년/월
Year/Month

T194M

2022-12



NOTE

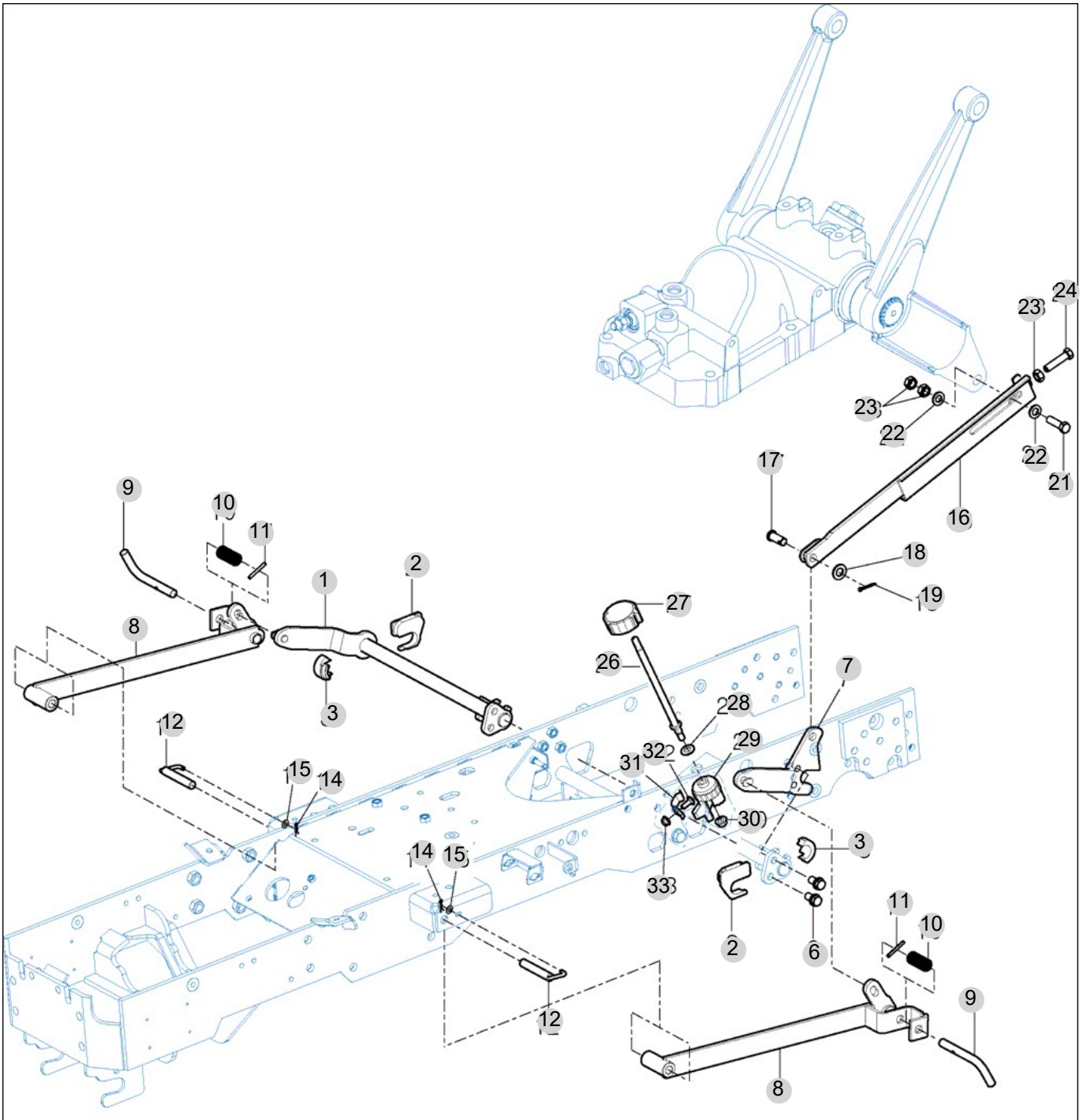
FIG 607

MID MOWER

년/월
Year/Month

2022-12

T194M



NOTE

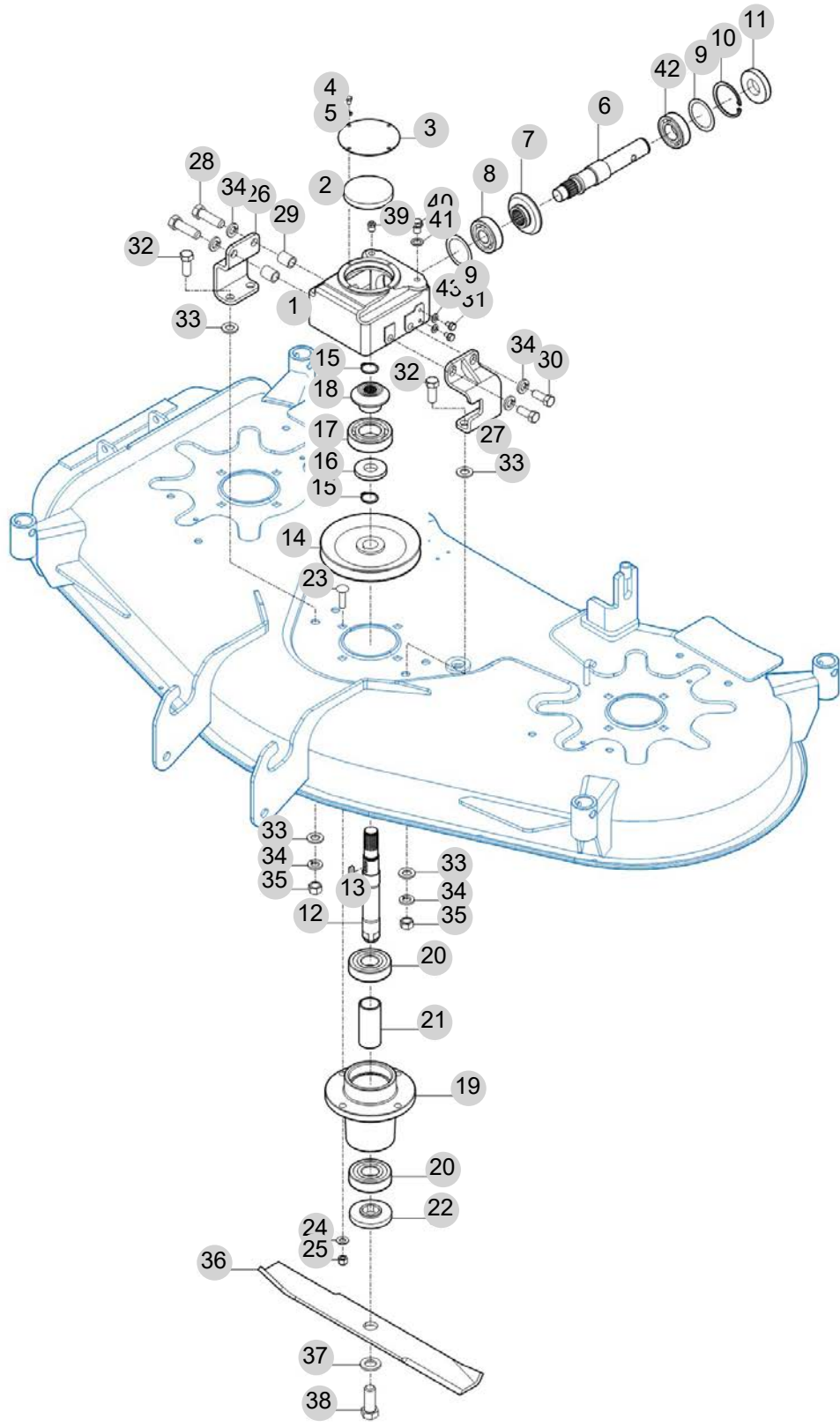
FIG 611

GEAR BOX

년/월
Year/Month

2022-12

T194M



NOTE

FIG 611		GEAR BOX						년/월	
								Year/Month	
T194M								2022-12	
KEY NO	PART NO	DESCRIPTION	SPEC	QTY	REPAIR	EFFECTIVE DATE	REMARKS		
611	1	93802001100	GEAR CASE		1				
611	2	14254330180	캡(72)		1				
611	3	93802001800GB	캡/플레이트		1				
611	4	V2004605008	육각 홈볼트	M5X8	4				
611	5	V4011600050	스프링와셔	M5	4				
611	6	93802001400	샤프트/IN		1				
611	7	93802001200	베벨기어/19T	19T	1				
611	8	V6001106304	볼베어링	6304	1				
611	10	V7051400520	C형멈춤링(구멍용)	52	1				
611	11	V7441255210	오일실(D)	D255210	1				
611	12	93802001500	SHAFT , OUT		1				
611	13	93802001600	키 , 5X5X20	5X5X20	1				
611	14	94002000100	폴리		1				
611	15	V7041400220	C형멈춤링(축용)	22	1				
611	16	V7441204707	오일실(D)	D20477	1				
611	17	V6001162032	볼베어링	62/32	1				
611	18	93802001300	베벨기어/16T	16T	1				
611	19	94002000320	하우징		1				
611	20	V6001506305	볼베어링	6305	2				
611	21	94002000330	부시/하우징		1				
611	22	93802001700	블레이드 칼라		1				
611	23	94002000150	연결 볼트 (3/8x30)	M10x35	4				
611	24	V4111600100	평와셔	M10	4				
611	25	94002000190	나일론 너트 3/8	3/8	4				
611	26	93802007100GB	플레이트 COMP/기어박스		1				
611	27	93802007200GB	브라켓 COMP/기어박스		1				
611	28	V2003612045	BOLT, HEX	M12X45	2				
611	29	93802007300	칼러/ 기어박스		2				
611	30	V2003612025	BOLT, HEX	M12X25	2				
611	31	V2014608010	육각볼트	M8X10	2				
611	32	V2004612030	육각볼트(보통)	M12X30	4				
611	33	V4111600120	평와셔	M12	4				
611	34	V4011600120	스프링와셔	M12	8				
611	35	V3013600120	육각너트보통2종	M12	4				
611	36	93902000080	칼날		1				
611	37	94002000260	BLADE WASHER		1				
611	38	V2034616035	육각볼트(가는)	M16X35	1				
611	39	93802000100	드레인 플러그		1				
611	40	84200033800	플랜지볼트		1				
611	41	93802000150	와셔/오일 플러그		1				
611	42	V6001106205	볼베어링	6205	1				
611	43	V4011600080	스프링와셔	M8	2				
NOTE									

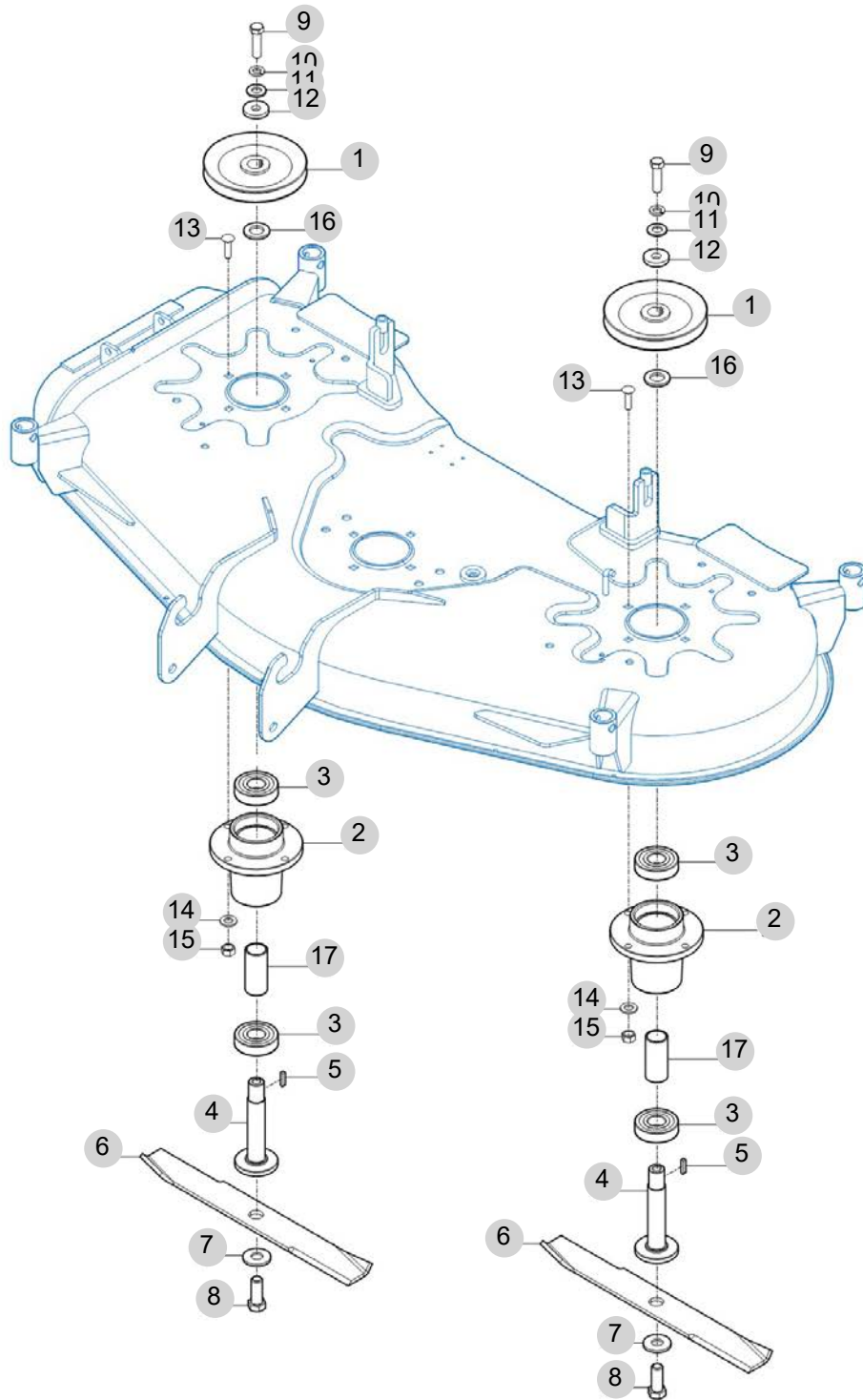
FIG 612

BLADE PULLEY

년/월
Year/Month

2022-12

T194M



NOTE

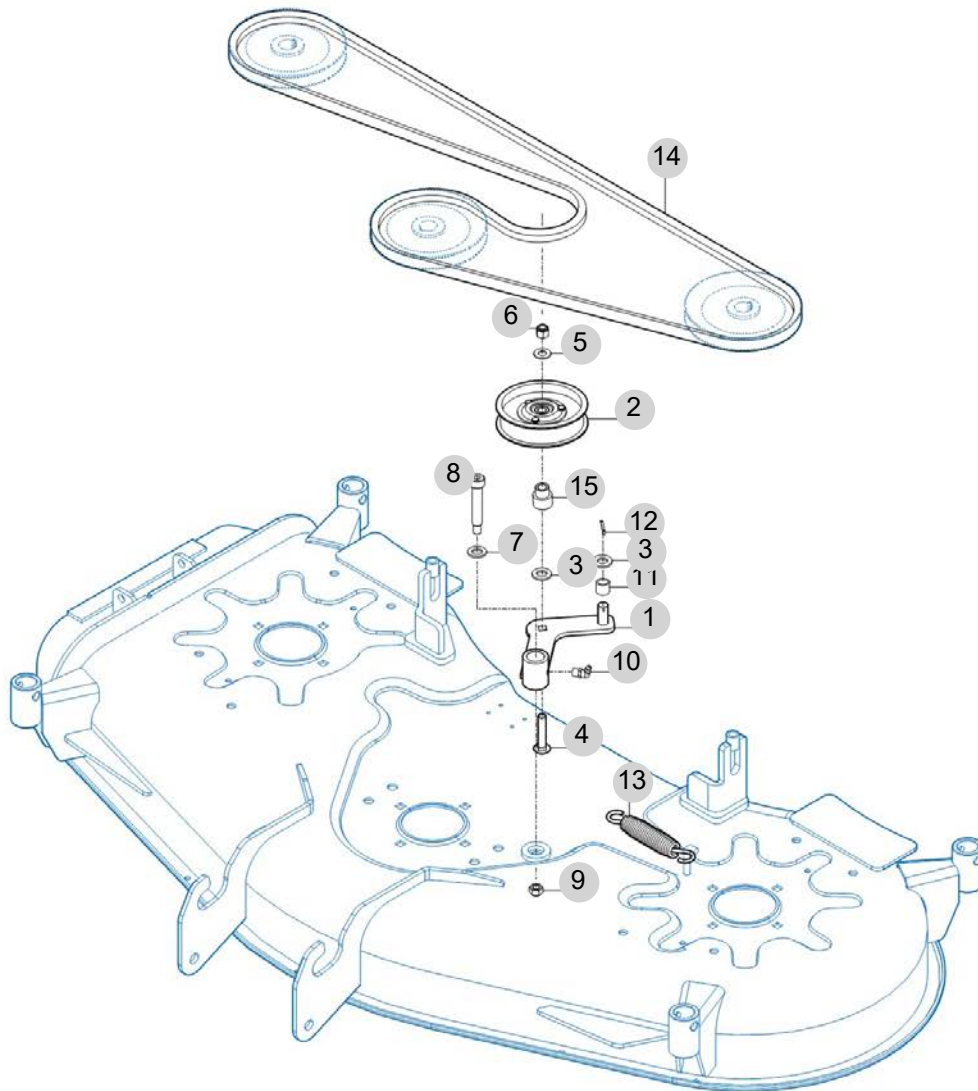
FIG 613

TENSION PULLEY

년/월
Year/Month

2022-12

T194M



NOTE

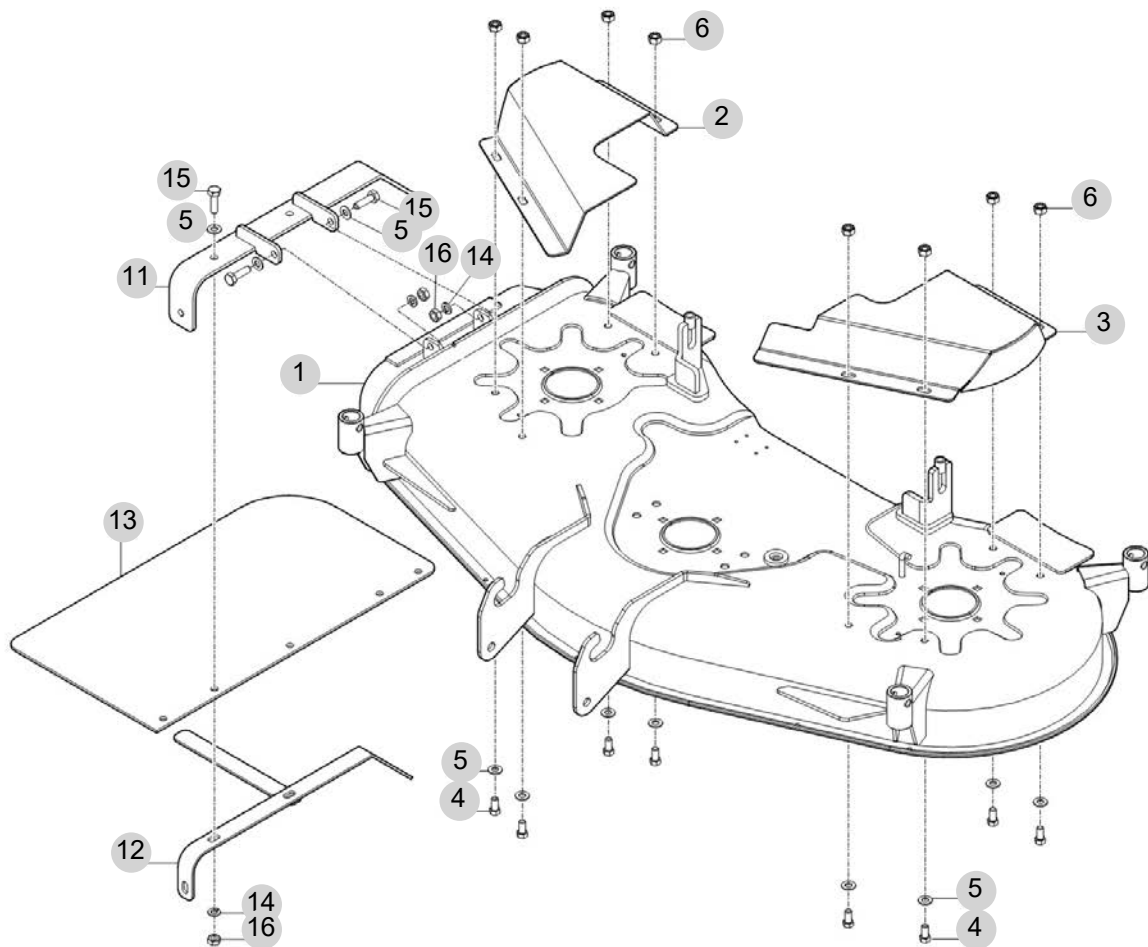
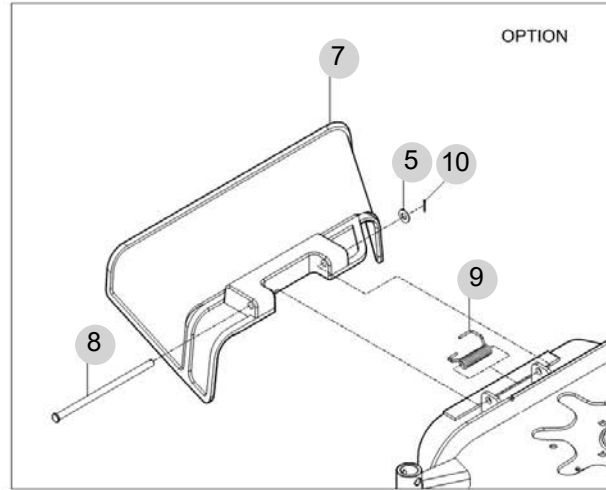
FIG 614

COVER, CHUTE

년/월
Year/Month

2022-12

T194M



NOTE

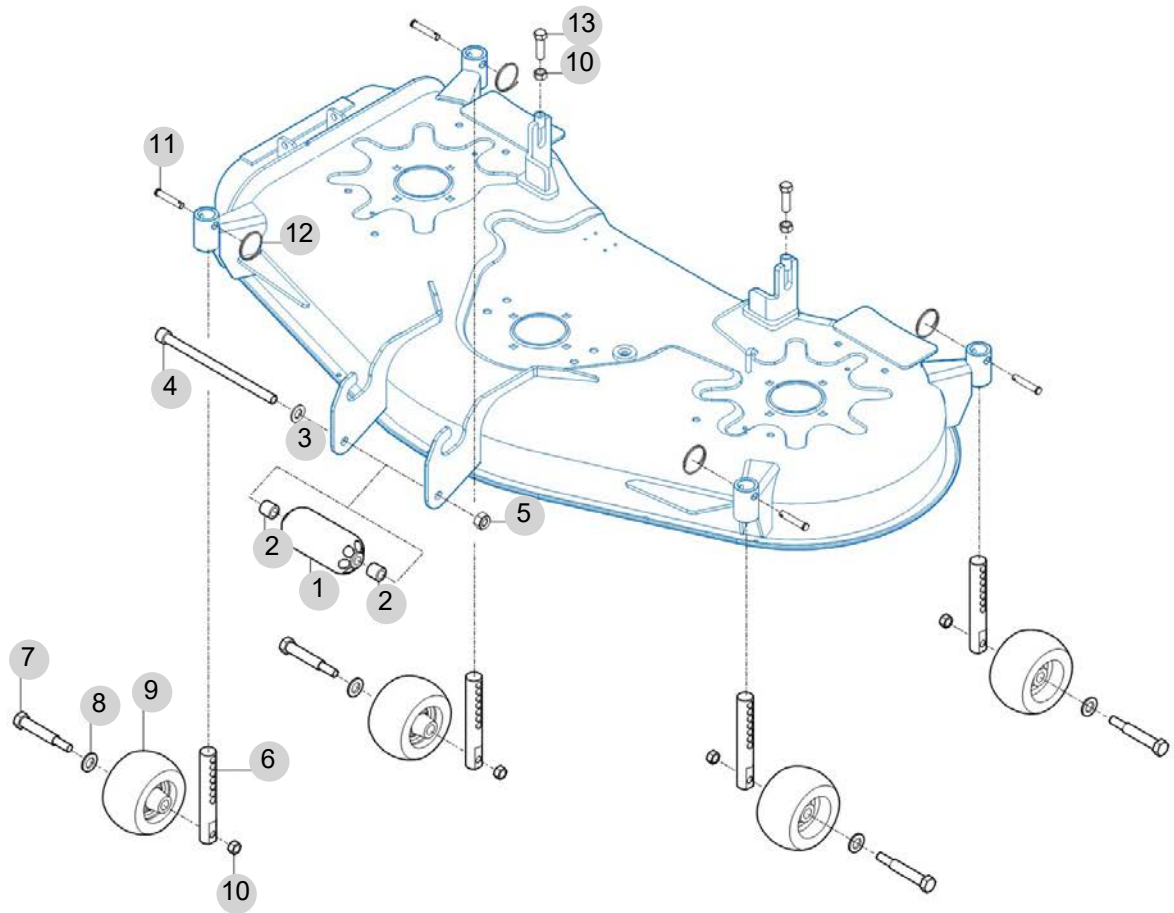
FIG 615

T194M

WHEEL

년/월
Year/Month

2022-12



NOTE

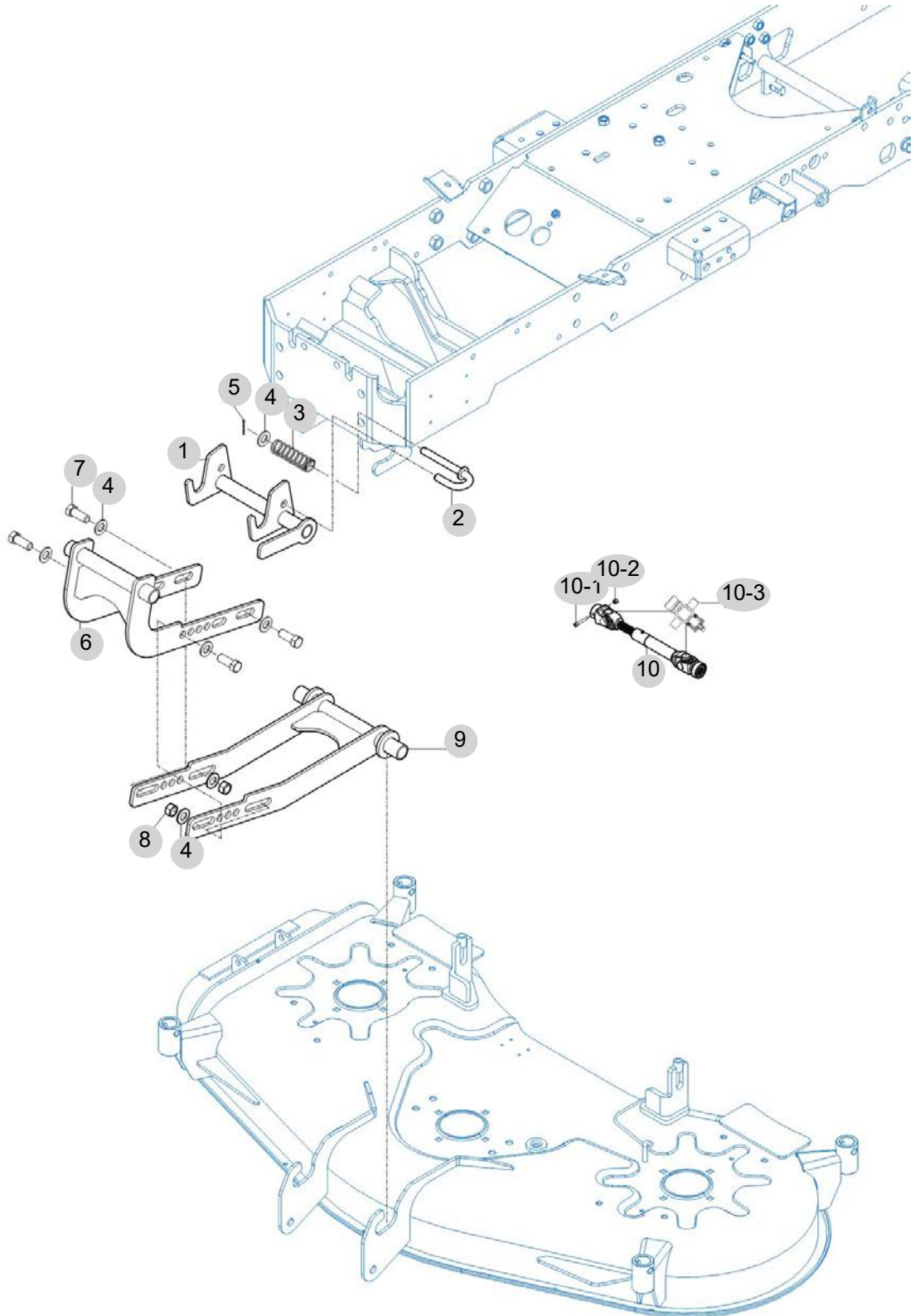
FIG 616

MOUNTING

년/월
Year/Month

2022-12

T194M



NOTE

7. 시트메탈/캐빈 PART NO. T7

FIG 701 BONNET	134
FIG 702 FLOOR	136
FIG 703 SEAT	138
FIG 704 ROPS	140
FIG 705 LEVER COVER & FENDER	142

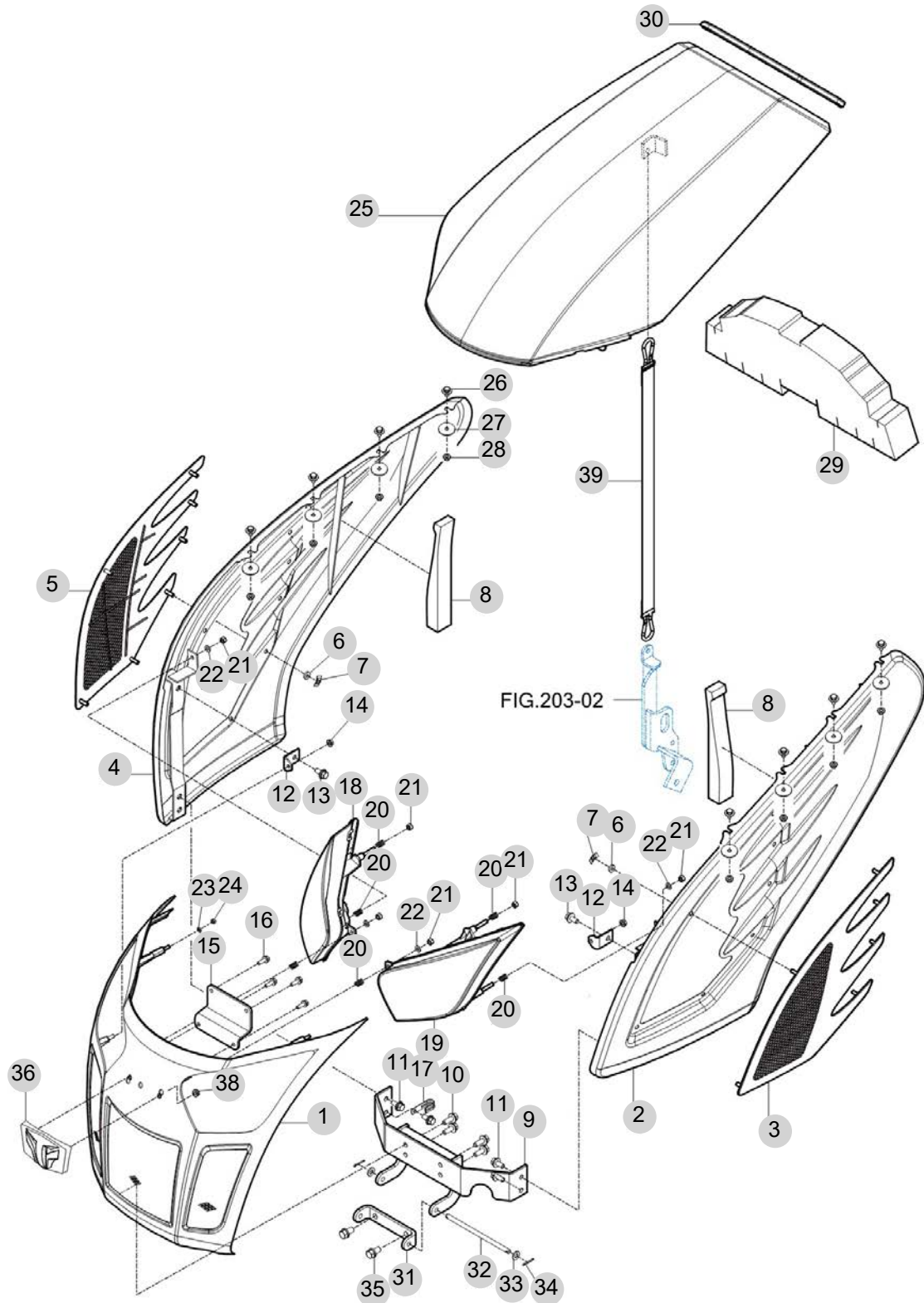
FIG 701

T194M

BONNET

년/월
Year/Month

2022-12



NOTE

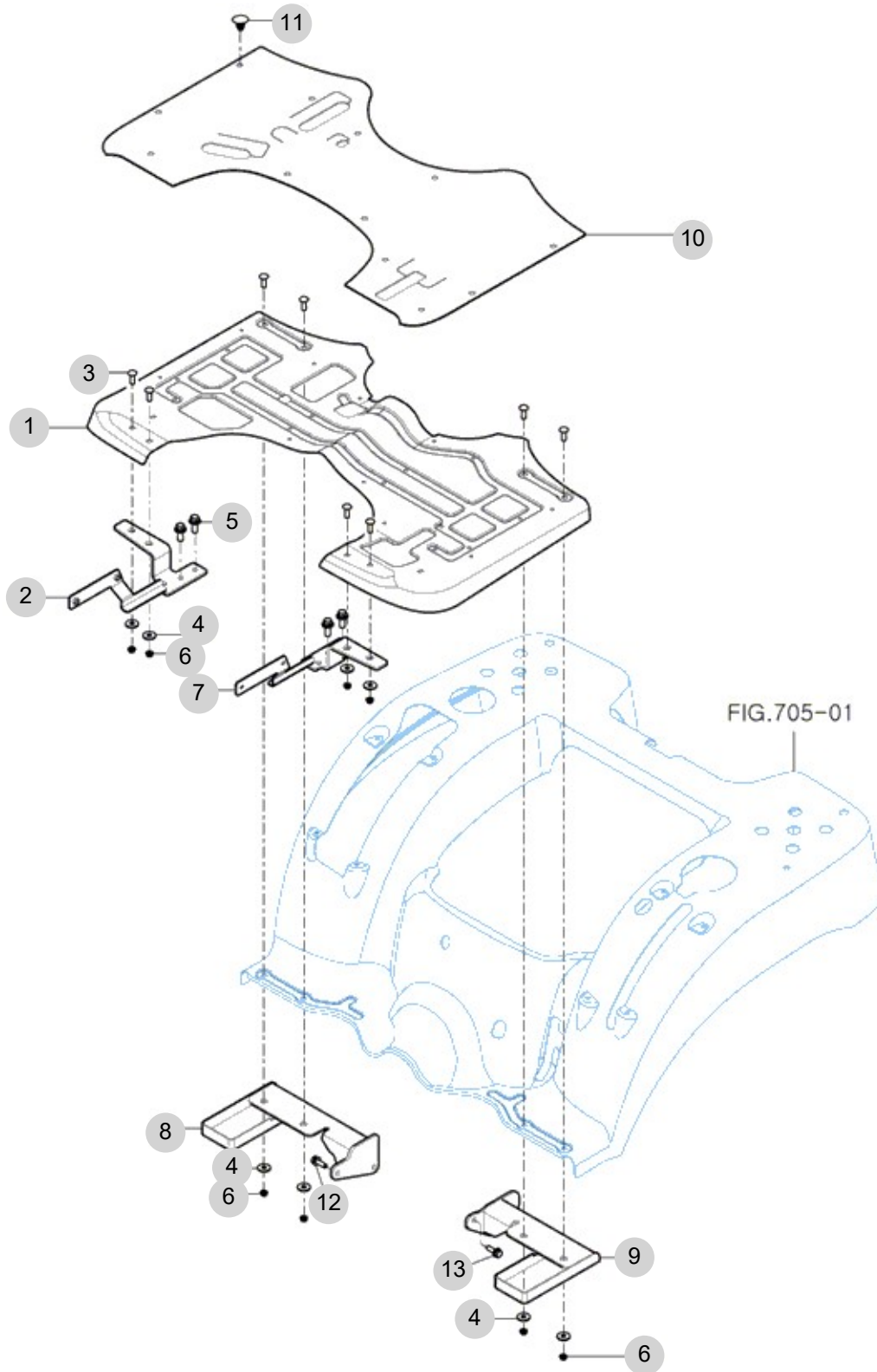
FIG 702

T194M

FLOOR

년/월
Year/Month

2022-12



NOTE

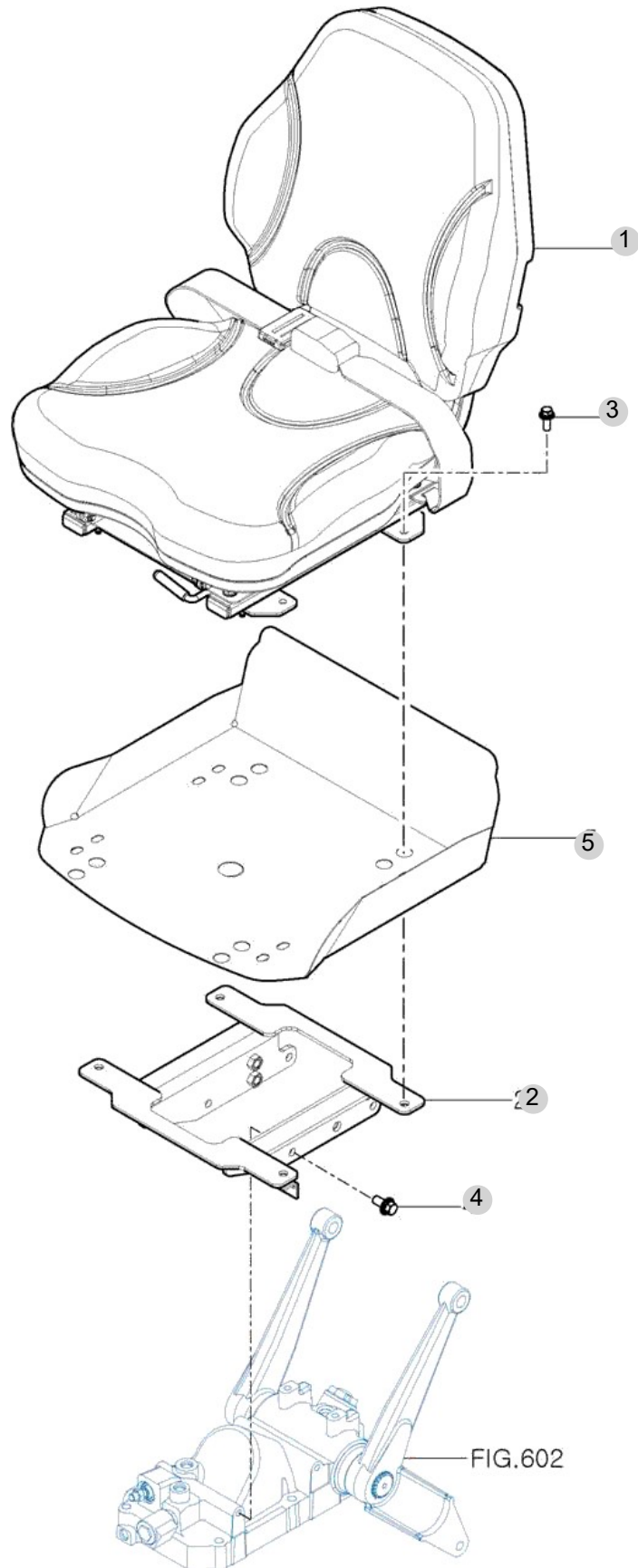
FIG 703

T194M

SEAT

년/월
Year/Month

2022-12



NOTE

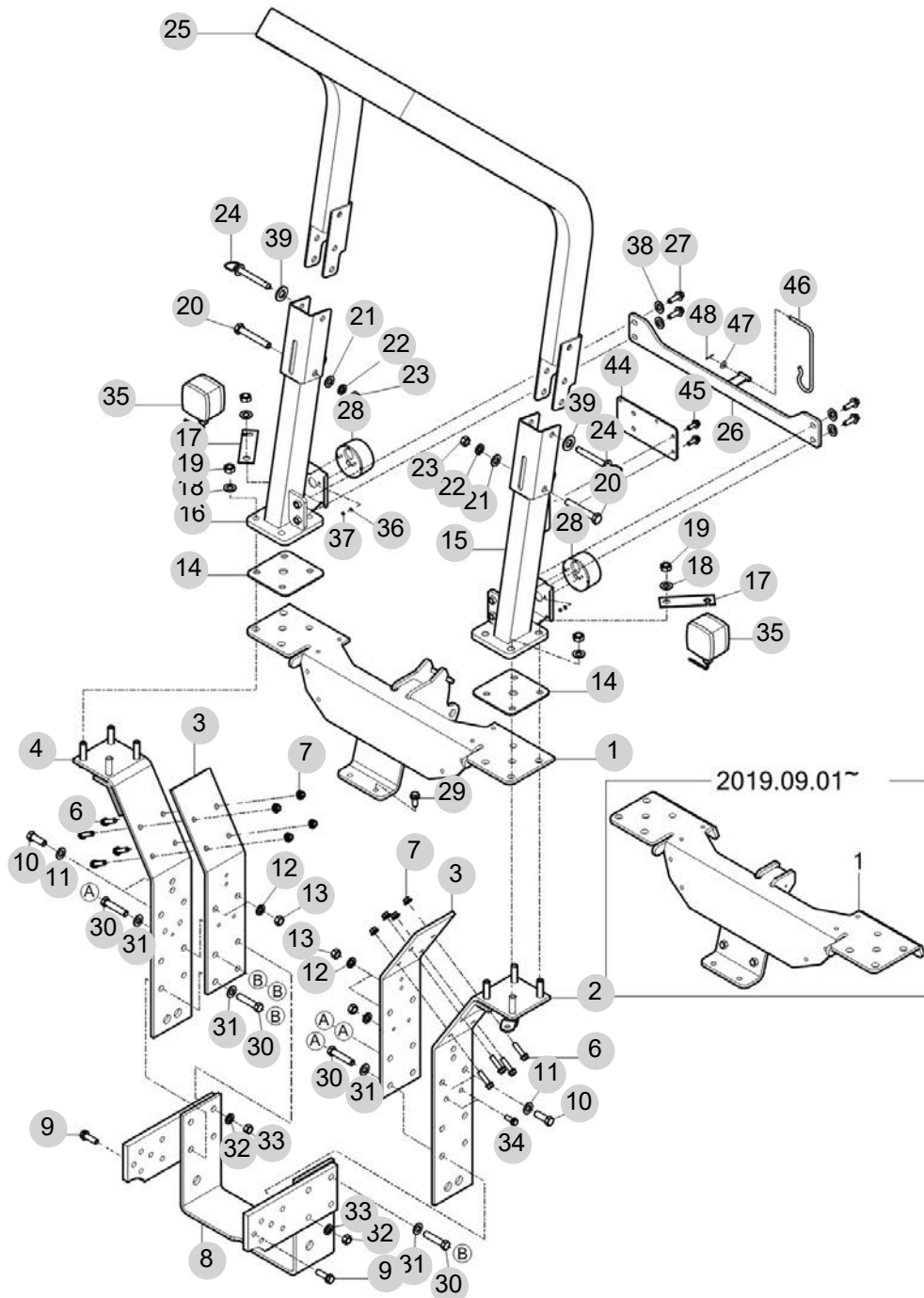
FIG 704

T194M

ROPS

년/월
Year/Month

2022-12



NOTE

FIG 704	ROPS	년/월 Year/Month
		2022-12

KEY NO		PART NO	DESCRIPTION	SPEC	QTY	REPAIR	EFFECTIVE DATE	REMARKS
704	1	11617022601GB	프레임 COMP , 중/서포트		1			
704	1	11657022600GB	프레임 COMP , 중/서포트		1			
704	2	11617022400GB	프레임 COMP , 좌/서포트		1			
704	3	11617022700GB	보강 브래킷 , 중/서포트		2			
704	4	11617022500GB	프레임 COMP , 우/서포트		1			
704	6	V2173610035	소형육각볼트보통(S)	M10X35	8			
704	7	V3802600100	플랜지볼이육각너트	M10	8			
704	8	11615212101GB	프레임 COMP , 히치		1			
704	9	V2174612040	소형육각볼트보통(S)	M12X40	12			
704	10	V2013614040	소형육각볼트(보통)	M14X40	4			
704	11	V4111600140	평와셔	M14	4			
704	12	V4011600140	스프링와셔	M14	4			
704	13	V3043600140	소형육각너트보통2종	M14	4			
704	14	11617022900	패드(ROPS)		2			
704	15	11617022102GB	프레임 COMP , 좌/하/ROPS		1			
704	16	11617022200GB	프레임 COMP , 우/하/ROPS		1			
704	17	11616562111GB	플레이트 , 램프		2			
704	18	V4011600140	스프링와셔	M14	8			
704	19	V3043600140	소형육각너트보통2종	M14	8			
704	20	V2014614095	소형육각볼트(보통)	14X95	2			
704	21	V4111600140	평와셔	M14	2			
704	22	V4011600140	스프링와셔	M14	2			
704	23	V3043600140	소형육각너트보통2종	M14	2			
704	24	11107027500	고정핀 조합		2			
704	25	11617024100GB	프레임 COMP , 상		1			
704	26	11657022300GB	프레임 COMP , 크로스		1			
704	27	V2174610035	소형육각볼트보통(S)	M10X35	4			
704	28	11616563000	미등 조합 ASSY		2			
704	29	V2173610030	소형육각볼트보통(S)	M10X30	2			
704	30	V2004614070	소형육각볼트(보통)		8			
704	31	V4111600140	평와셔	M14	8			
704	32	V4011600140	스프링와셔	M14	8			
704	33	V3043600140	소형육각너트보통2종	M14	8			
704	34	V2183610025	소형육각볼트보통(SP)	M10X25	2			
704	35	15666562003	램프(ком비네이션) ASSY		2			
704	36	V4011600050	스프링와셔	M5	4			
704	37	V3002600050	육각너트보통1종	M5	4			
704	38	V4111600100	평와셔	M10	4			
704	39	19027722030	그로맷(15X36X3)	1X1X1	2			
704	44	11617012120GB	서포트 플레이트 , SMV		1			
704	45	V2183608025	소형육각볼트보통(SP)	M8X25	2			
704	46	16705251100	후크(톱링크)		1			
704	47	V4111600050	평와셔	M5	1			
704	48	V5001920015	분할핀	2X15	1			

NOTE								
------	--	--	--	--	--	--	--	--

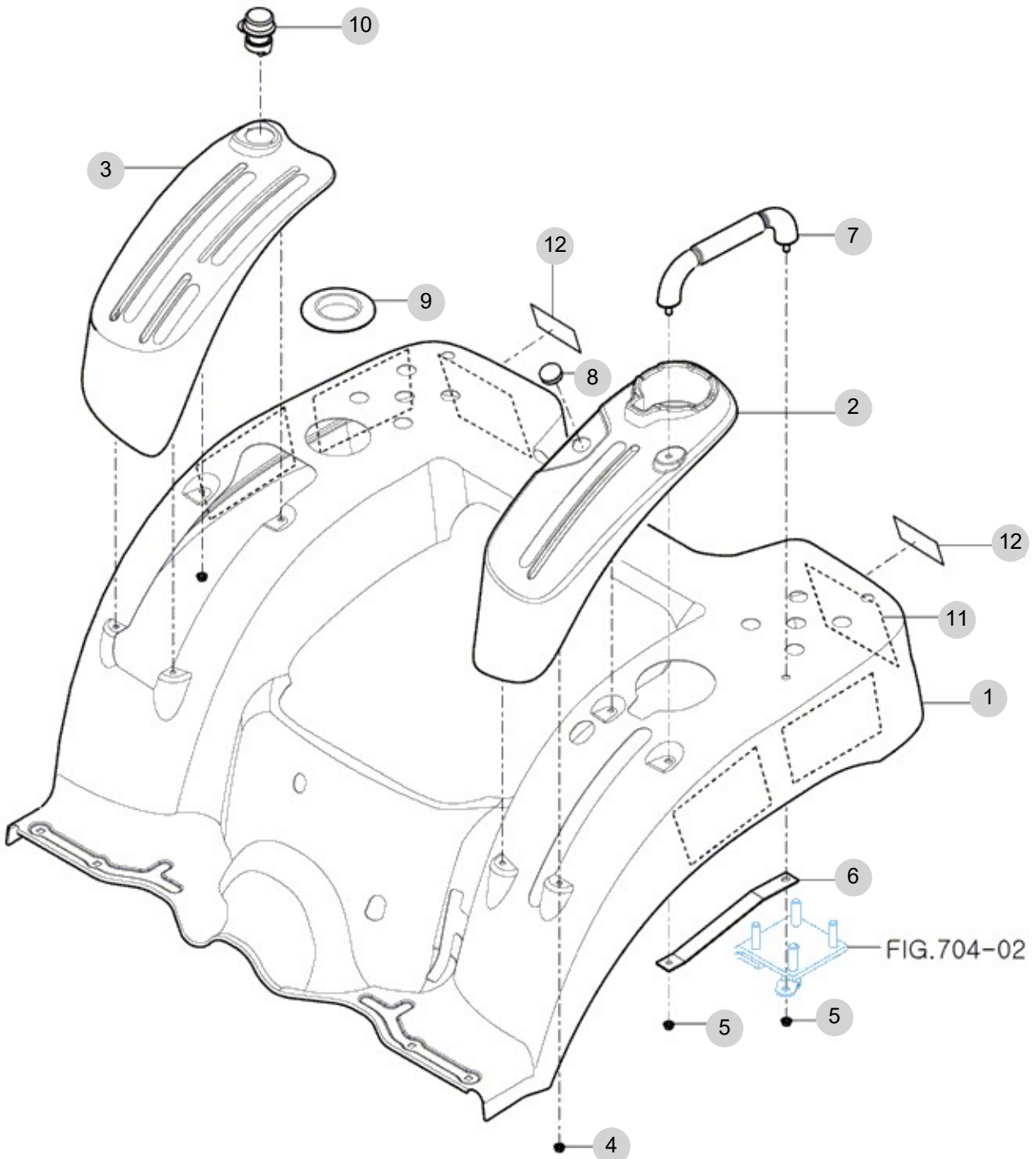
FIG 705

T194M

LEVER COVER & FENDER

년/월
Year/Month

2022-12



NOTE

FIG 705		LEVER COVER & FENDER						년/월	REMARKS
								Year/Month	
T194M								2022-12	
KEY NO		PART NO	DESCRIPTION	SPEC	QTY	REPAIR	EFFECTIVE DATE		
705	1	11616401100SR	헨더 플로어 시트		1				
705	2	11616082100	커버 COMP, 좌/레버		1				
705	3	11616082200	커버 COMP, 우/레버		1				
705	4	V3802600060	플랜지불이육각너트	M6	7				
705	5	V3802600080	플랜지불이육각너트	M8	2				
705	6	11616402100GB	플레이트, 그립		1				
705	7	14726071101	손잡이 COMP		1				
705	8	11616510210	캡, 고무(25)		1				
705	9	36143110010	탱크 주입구 고무		1				
705	10	11106644000	PTO 스위치ASSY		1				
705	11	11616401120	스폰지, 헨더 플로어		6				
705	12	11616571000	후미반사판		2				
NOTE									

8. 전장 PART NO. T8

FIG 801 BATTERY MOUNTING	145
FIG 802 INSTRUMENT PANEL	147
FIG 803 HARNESS(1)	149
FIG 804 HARNESS(2)	151

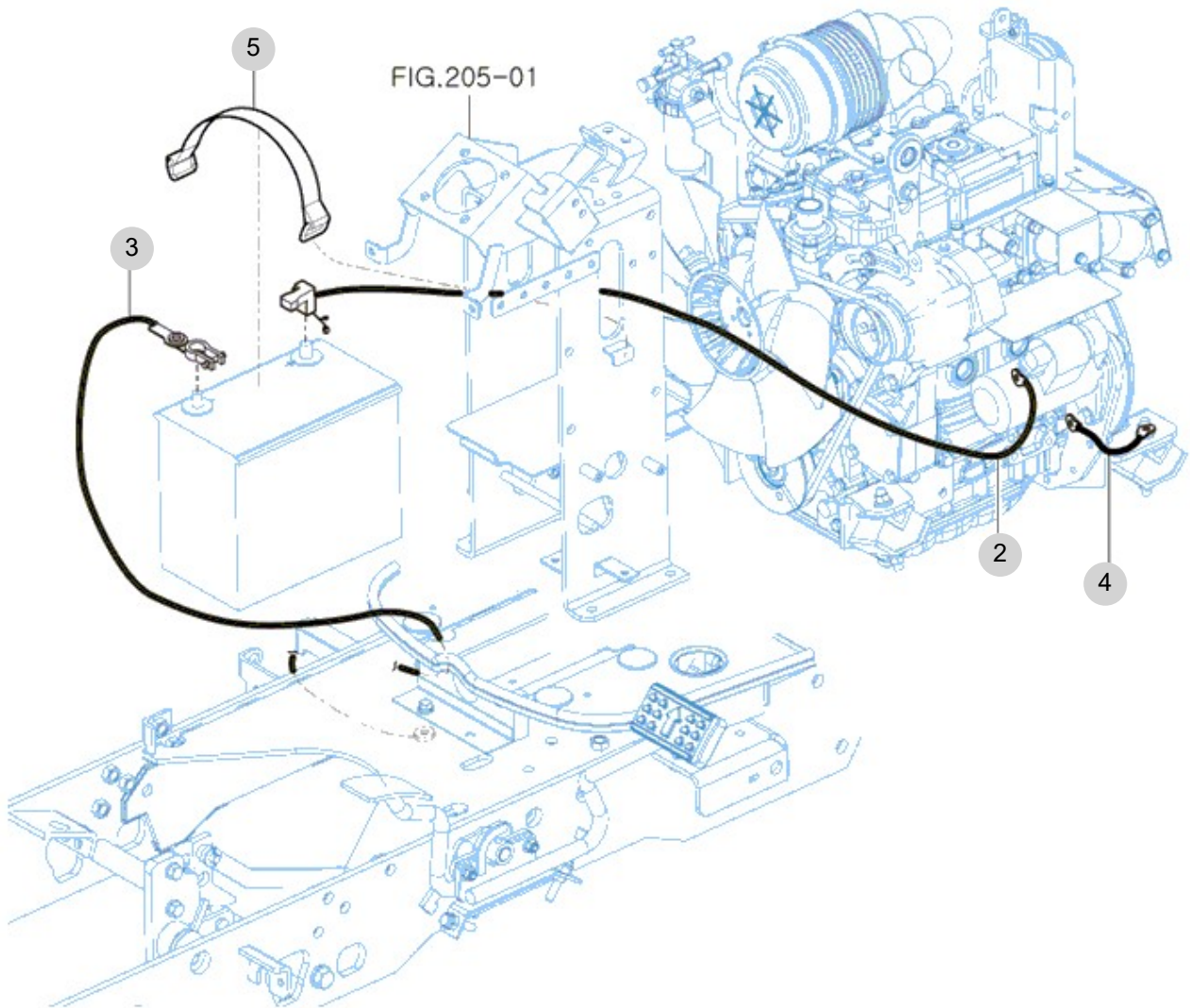
FIG 801

T194M

BATTERY MOUNTING

년/월
Year/Month

2022-12



NOTE

FIG 801 T194M		BATTERY MOUNTING						년/월 Year/Month	
								2022-12	
KEY NO	PART NO	DESCRIPTION	SPEC	QTY	REPAIR	EFFECTIVE DATE	REMARKS		
801	2	18996502000	케이블(배터리)완성		1				
801	2	11616504200	하니스 ASSY, 배터리		1				
801	3	11636684300	하니스 ASSY, 접지		1				
801	3	11616684301	하니스 ASSY, 접지		1				
801	4	11106684300	하니스(접지)ASSY		1				
801	5	36402602001	배터리 누름판 고무 조합		1				
NOTE									

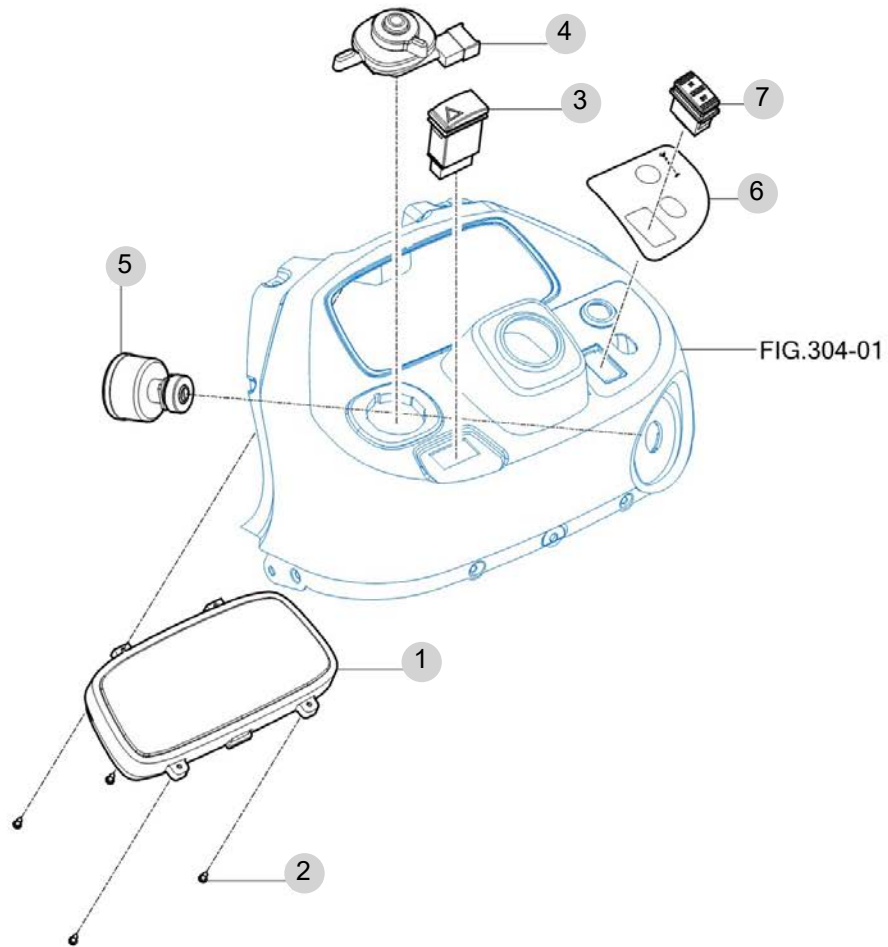
FIG 802

T194M

INSTRUMENT PANEL

년/월
Year/Month

2022-12



NOTE

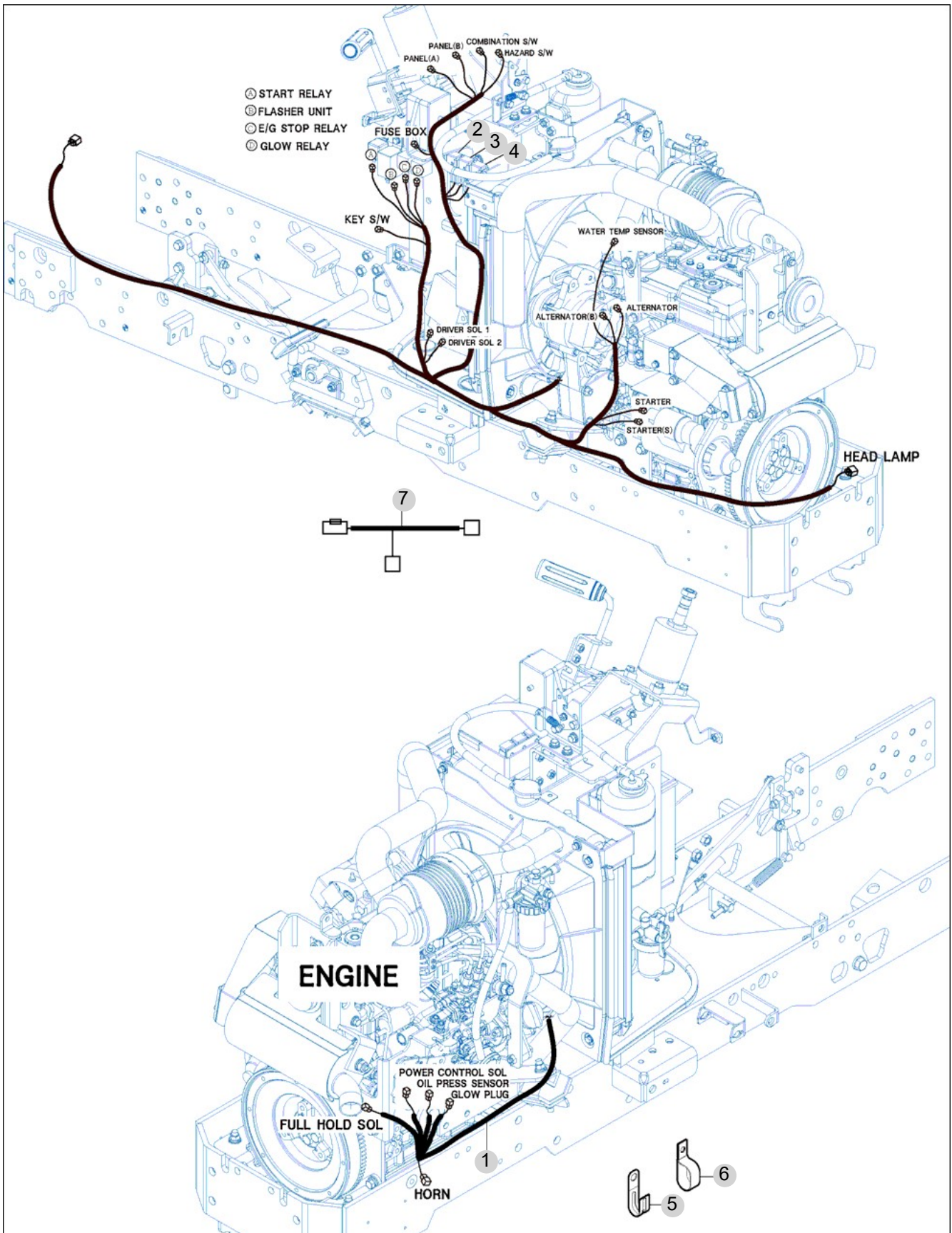
FIG 803

HARNESS(1)

년/월
Year/Month

2022-12

T194M



NOTE

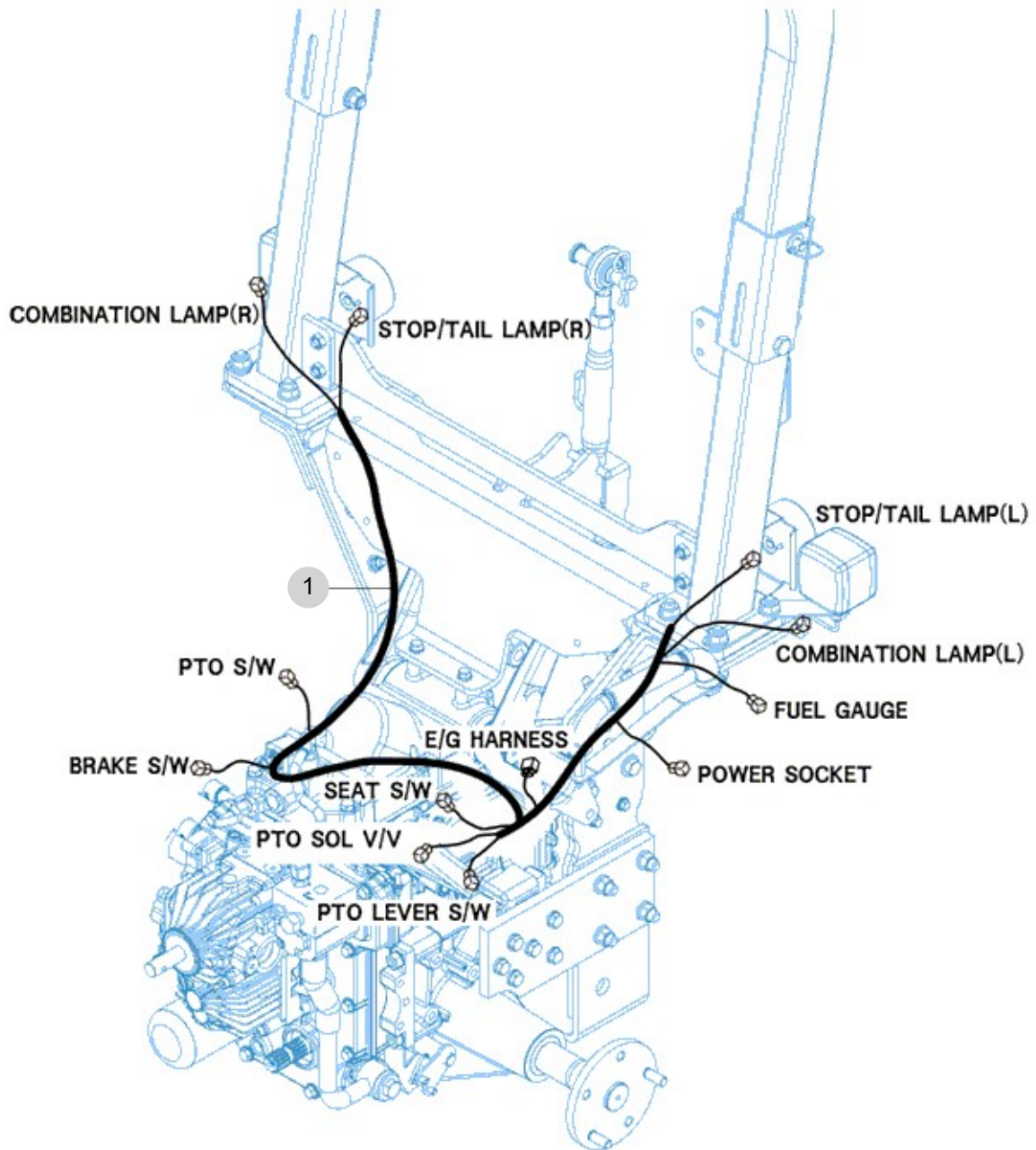
FIG 804

T194M

HARNESS(2)

년/월
Year/Month

2022-12



NOTE

9. 라벨/옵션 PART NO. T9

FIG 901 TOOL & ACCESSORY

154

FIG 902 LABEL

156

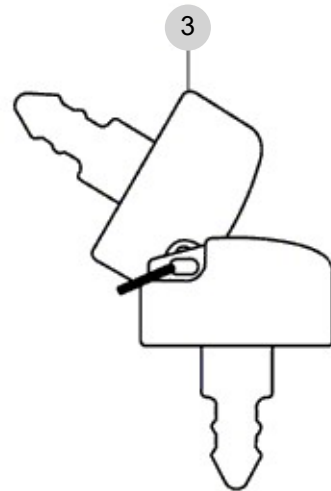
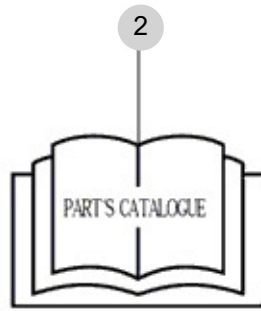
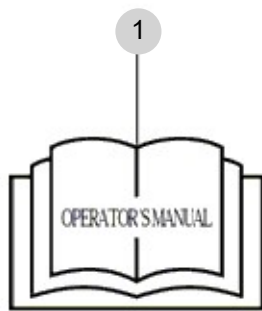
FIG 901

T194M

TOOL & ACCESSORY

년/월
Year/Month

2022-12



NOTE

FIG 902

LABEL

년/월
Year/Month

T194M

2022-12

PARKING BRAKE
Press down the master brake pedal and lock the parking lever at the same time

2

WARNING
Always apply the park brake when parking. Failure to do so can cause accidents and damages.

3

WARNING
• Start engine only from operators seat, if safety start switch is by passed engine can start with transmission in gear.
• Do not connect or short across terminal on starter solenoid.
• Attach booster cables as shown on battery decal and operators manual.
Starting in gear causing runaway can result in serious injury.

4



5

WARNING
Work in ventilated Area.

6

WARNING
Always fasten Your seat belt.

8

DANGER
Do not ride except operator.

7

WARNING
Additions, alterations, cracking, damage or corrosion to this structure may adversely affect the performance of the ROPS.

18

T194

1

TYM

60

DANGER
This Tractor may tip over unexpectedly and quicker than an operator is able to jump free:
1. Never operate a tractor without a proper Roll over Protection Structure (ROPS)
2. Always wear your seat belt when operating this tractor equipped with roll over protection.
3. Never pull from above or from the rear axle.
4. Do not operate the tractor on steep slopes or near drop offs.
5. Avoid sharp high speed turns. Serious injury or death may result from tractor upsets.

19

WARNING
Death or injury may result if this tractor over turns with the ROPS in the folded down position. Operate this tractor with the ROPS folded down only when necessary. Do not wear seat belt if operated with ROPS folded down.

20

TYM YANG MOO SAN
SERIAL NUMBER: T194
VIN: SV e13 0140

21



25

26

EPA REGULATION
USE ULTRA LOW SULFUR FUEL ONLY

22

WARNING
Do not use the tractor for anything other than intended use. Do not use for transport, storage, or other purposes unless specifically designed for such use.

23

WARNING
Do not use the accelerator lever except working on the field.

24



WARNING
Do not remove radiator cap while engine is hot. Hot steam will injure you.

9

WARNING
1. Traveling on the road.
2. Raising blades or an implement.
3. Making adjustment to an implement.
Sudden dropping of an implement can cause serious injury or death.

10

WARNING
Never use the differential lock at high speed or on the road as this can cause rollover and injury.

11

WARNING
Operator's manual

13

CAUTION
Keep hands and clothing away from rotating fan and belts to prevent serious injury.

12

WARNING
Do not touch while the system is hot. It cause serious burns.

16

HOT

14

CAUTION
Do not touch while the system is hot. It cause serious burns.

15

TYM CE
MODEL: T194
SERIAL NO: SV e13 0140
MANUFACTURED: 2020 FINE MODEL: 040 11
NEW OFFICE: 36 Seomun-ro, Incheon, Korea 405-840
CALL CENTER: 1577-7777

17

5 YEAR Limited Warranty

32

CAUTION
Prolonged exposure to loud noise can cause hearing loss. Wear ear protection.

33



50



51

WARNING
Attach implements and trailers to the tractor only using the prescribed drawbar or hitch.

28

DANGER
Rotating driveline contact can cause death. KEEP AWAY! Keep all drive line, Tractor and equipment shields in place during operation.

29

NOTE

FIG 902 T194M	LABEL	년/월 Year/Month 2022-12
-------------------------	--------------	----------------------------------

KEY NO	PART NO	DESCRIPTION	SPEC	QTY	REPAIR	EFFECTIVE DATE	REMARKS
902	1	11619010042	마크, /T194	2			
902	1	11619010041	마크, T194	2			
902	2	14729040130	라벨(코션/파킹)	1			
902	3	12009100020	라벨, 경 고/파킹	1X1X1	1		
902	4	12609040620	경 고(스타트)	T=0.05	1		
902	5	12127025110	라벨, 스타터	1X1X1	1		
902	6	12009100030	라벨, 경 고/배기가스	1X1X1	1		
902	7	12009100160	라벨, 위험/동승금지	1X1X1	1		
902	8	12009100190	라벨, 경 고/안전벨트	1X1X1	1		
902	9	12009100150	라벨, 경 고/라디에이터캡	1X1X1	1		
902	10	12009100040	라벨, 경 고/스톱밸브	1X1X1	1		
902	11	12009100060	라벨, 경 고/차동고정	1X1X1	1		
902	12	12009100120	라벨, 주의/팬	1X1X1	1		
902	13	12009100230	라벨, 주의/취급	T=0.05	1		
902	14	11209100250	라벨, 주의/HOT		1		
902	15	12009100240	라벨, 주의/소음기	1X1X1	1		
902	16	17689200050	라벨, 취급/차동고정		1		
902	17	T0019010021	기종 명판(수출용)	1X1X1	1		
902	1701	V5502040093	브라인더리벳	4X9.3	4		
902	18	12209045051	라벨, 경 고/개조		1		
902	19	12209045010	라벨(ROPS위험)	T=0.05	1		
902	20	12209045020	라벨(ROPS경고)	T=0.05	1		
902	21	11619040690	형식마크(ROPS)		1		
902	22	18711201100	라벨, 초저유황경유		1		
902	23	12009100050	라벨, 경 고/화기염금	1X1X1	1		
902	24	12009100210	라벨, 경 고/스로틀	1X1X1	1		
902	25	11619100040	라벨, 포지션 레버		1		
902	26	11619100030	라벨, 부변속 레버		1		
902	27	11619100020	라벨, 4WD 레버		1		
902	28	12009100140	라벨, 경 고/견인	1X1X1	1		
902	29	12009100130	라벨, 위험/PTO	1X1X1	1		
902	31	11619100010	라벨, PTO 변속 레버		1		
902	32	11619100150	5년 보증 라벨		1		
902	33	11669049050	라벨, 주의/소음		1		
902	50	93805000100	라벨, 화살표		1		
902	51	93805000090	라벨, 다이얼		1		
902	60	11659010020	라벨, /TYM 25		2		

NOTE	
-------------	--